



CTS EVO

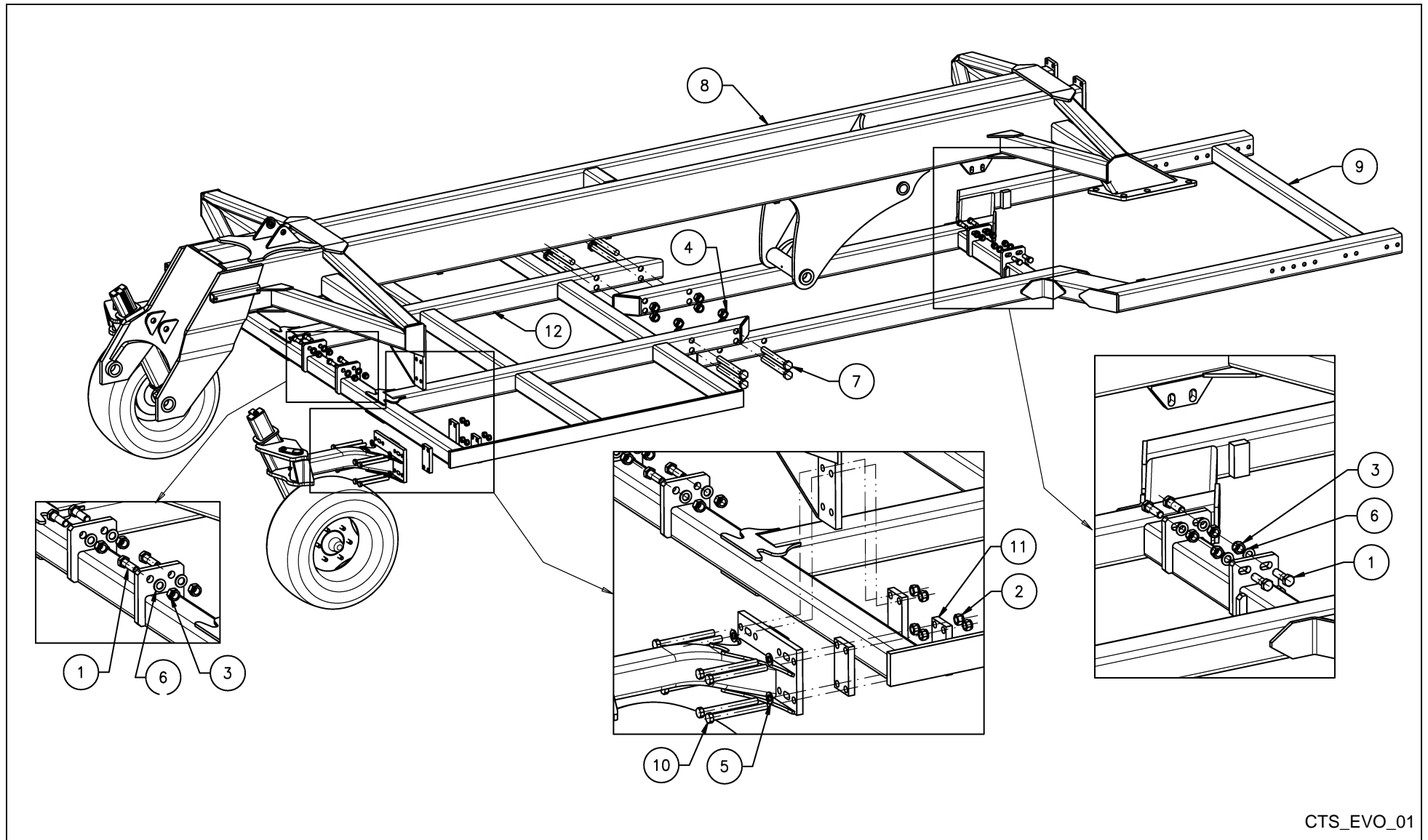
Spare Parts Manual

Article number: RF24599E
Language: EN
Production year (from): 2010
Prod. Series nr (from):
06435 < Mach. ID <=

CTS EVO / Table of Contents

PosNo.	Assembly group	Page
	FIX MAIN FRAME 3M	1
	FOLDING FRAME 4,5M-6M	2
	WHEELS CTS 4,5M/6M	3
	FRAME 4,5M - FOLDABLE RIGHT SIDE	4
	FRAME 6M - FOLDABLE RIGHT SIDE	5
	CARRIER	6
	DRAWBAR	7
	TELESCOPIC BAR	8
	BALL JOINT LINKAGE	9
	CROSS-SHAFT BAR	10
	SUBSOILING BEAM WELDED CTS 3M	11
	SUBSOILING BEAM WELDED CTS 4,50M	12
	SUBSOILING TINE HOLDER	13
	SUBSOILING TINE	14
	CLD NON-STOP SUBBLING TINE	15
	CLD BOLT SECURITY TINE	16
	FRONT CUTTING DISC (1)	17
	FRONT CUTTING DISC (2)	18
	FRONT MIXING DISC (1)	19
	FRONT MIXING DISC (2)	20
	FRONT MIXING DISC (3)	21
	FRONT CUTTING DISC / FRONT MIXING DISC	22
	LEVELLING TINES	23
	DEFLECTOR DISC	24
	ROLLER ARM	25
	ACTIPACK ROLLER	26
	CRACKER ROLLER	27
	DD PRESS ROLLER EQUIPMENT	28
	DD PRESS ROLLER	29
	DEPTH CONTROL WHEEL	30
	HYDRAULIC - LIFTING CTS 3M	31
	HYDRAULIC - LIFTING CTS 4,5M/6M	32
	HYDRAULIC - FOLDING CTS 4,5M/6M	33
	HYDRAULIC - SUBSOILING	34
	LIGHTING KIT CTS 3M	35
	LIGHTING KIT CTS 4,5M/6M	36
	PROTECTION BARS	37





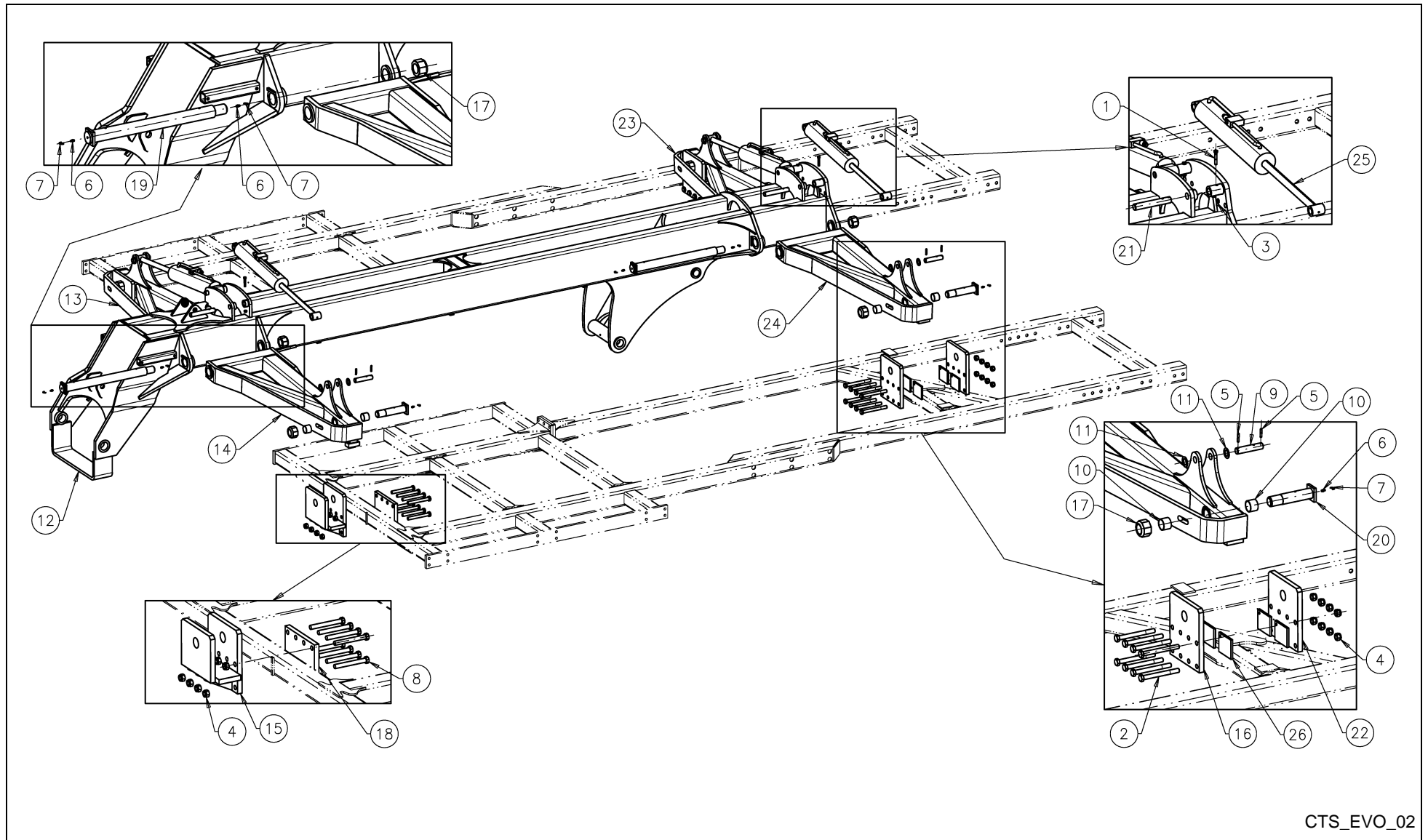
CTS_EVO_01

CTS EVO / FIX MAIN FRAME 3M



PosNo.	Part No.	Qty.	Description	Remark
1	KG00366661		HEX. BOLT M20X70 8.8	
2	KG01068061		LOCK NUT M18 8	
3	KG01068161		LOCK NUT M20 8	
4	KG01068561		LOCK NUT M30 8	
5	KG01267861		WASHER M18	
6	KG01267961		WASHER M20	
7	RF21648		SCREW TH 30X280 8.8 ZN DIN 931	
8	RF2431994		FIXE MAIN FRAME WELDED	
9	RF2432094		REAR CENTRAL FRAME 3.00 M	
10	RF24656		HEX. BOLT M18X180 10.9	
11	RF24674		FIXING PLATE CTS FRONT WHEEL	
12	RF2506194		FRONT CENTRAL FRAME 3.00 M	

CTS EVO / FOLDING FRAME 4,5M-6M

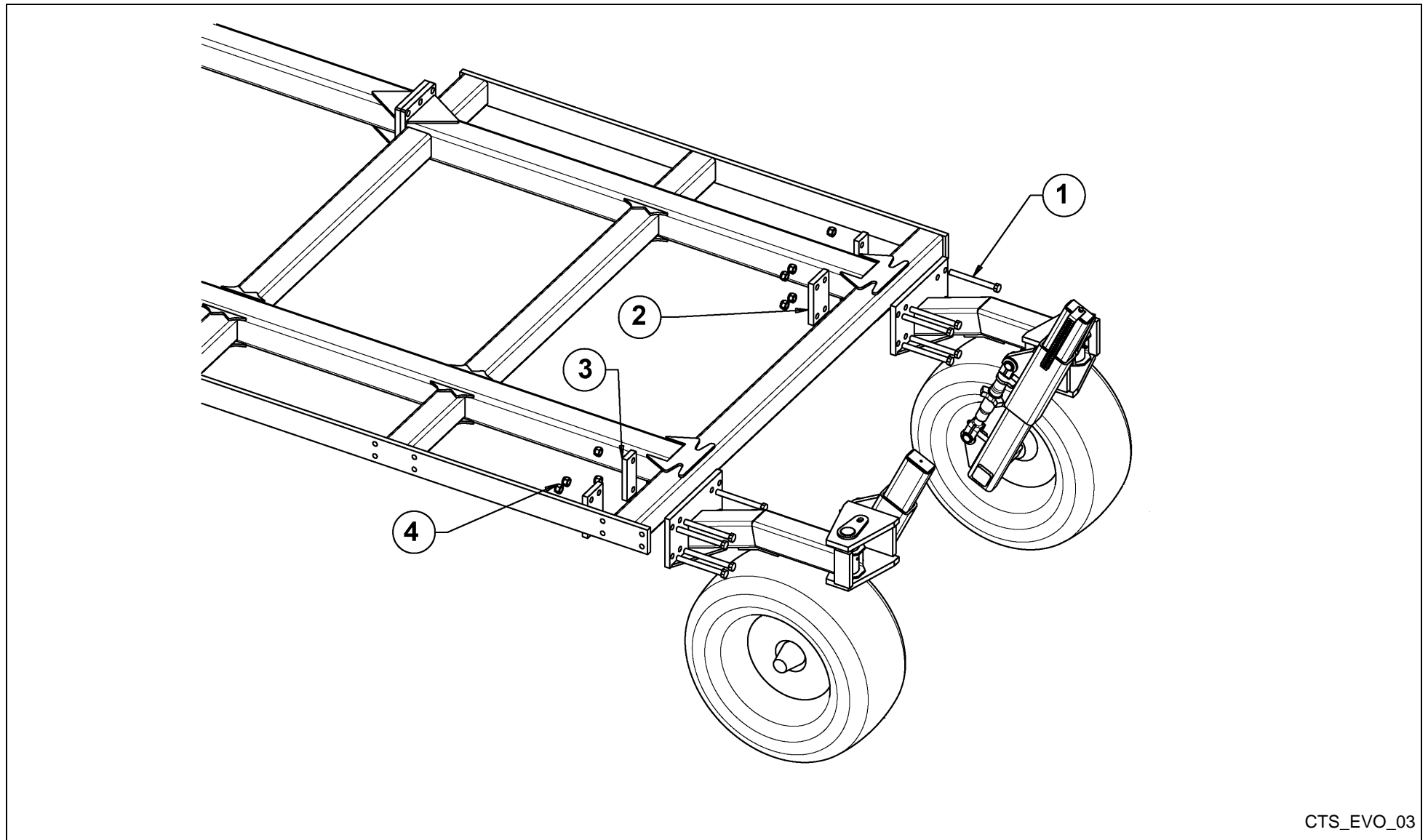


CTS_EVO_02

CTS EVO / FOLDING FRAME 4,5M-6M



PosNo.	Part No.	Qty.	Description	Remark
1	KG00355761		HEX. BOLT M10X65 8.8	
2	KG00367961		HEX. BOLT M20X200 8.8	
3	KG01067661		LOCK NUT M10 8	
4	KG01068161		LOCK NUT M20 8	
5	KG01191962		TENSION PIN 8X45	
6	RF00895		GREASE NIPPLE M8X125	
7	RF02345		GREASE NIPPLE MARKER GPN 985	
8	RF0304805		SCREW TH 20X170 8.8 SZN NF E27311	
9	RF1368061		PIN Ø30 L.U. 118	
10	RF20523		RING PERMAGLIDE PAP 5040 P 20	
11	RF22033		YELLOW ZINCED WASHER DIA 30.5X50X2	
12	RF2387894		FOLDABLE MAIN FRAME WELDED	
13	RF2389494		RIGHT FRONT HINGE ARM	
14	RF2389594		LEFT FRONT HINGE ARM	
15	RF2391294		SWIVELLING FORK	
16	RF23913		SWIVELLING PLATE PAINTED	
17	RF23915		LOCK NUT M48	
18	RF24126		CLIMB PLATE FORK	
19	RF2416994		PIN Ø60 LG 762 WELDED	
20	RF24170		SWIVELING AXLE WELDED	
21	RF2417361		PIN Ø30 LENGHT 199 MM	
22	RF2446194		SWIVELLING PLATE WELDED	
23	RF2514694		RIGHT REAR HINGE ARM	
24	RF2514994		LEFT REAR HINGE ARM	
25	RF25250		CYLINDER DE 100X35 C450 BALANCING VALVE	
26	RF26968		SWIVLE PLATE	



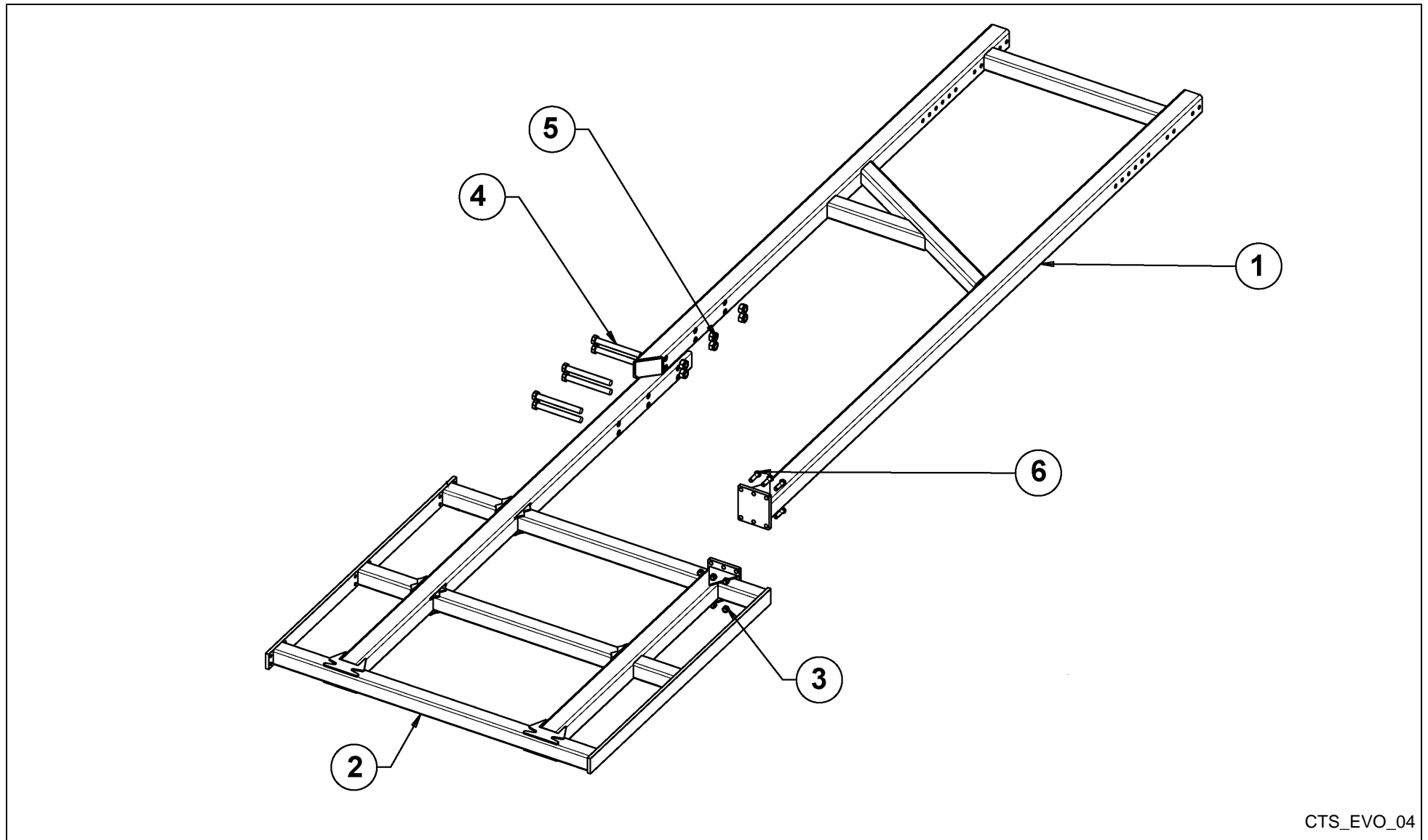
CTS_EVO_03

CTS EVO / WHEELS CTS 4,5M/6M



PosNo.	Part No.	Qty.	Description	Remark
1	RF24656		HEX. BOLT M18X180 10.9	
2	RF24674		FIXING PLATE CTS FRONT WHEEL	
3	RF26221		PLATE CTS FRONT WHEEL	
4	KG01068061		LOCK NUT M18 8	

CTS EVO / FRAME 4,5M - FOLDABLE RIGHT SIDE

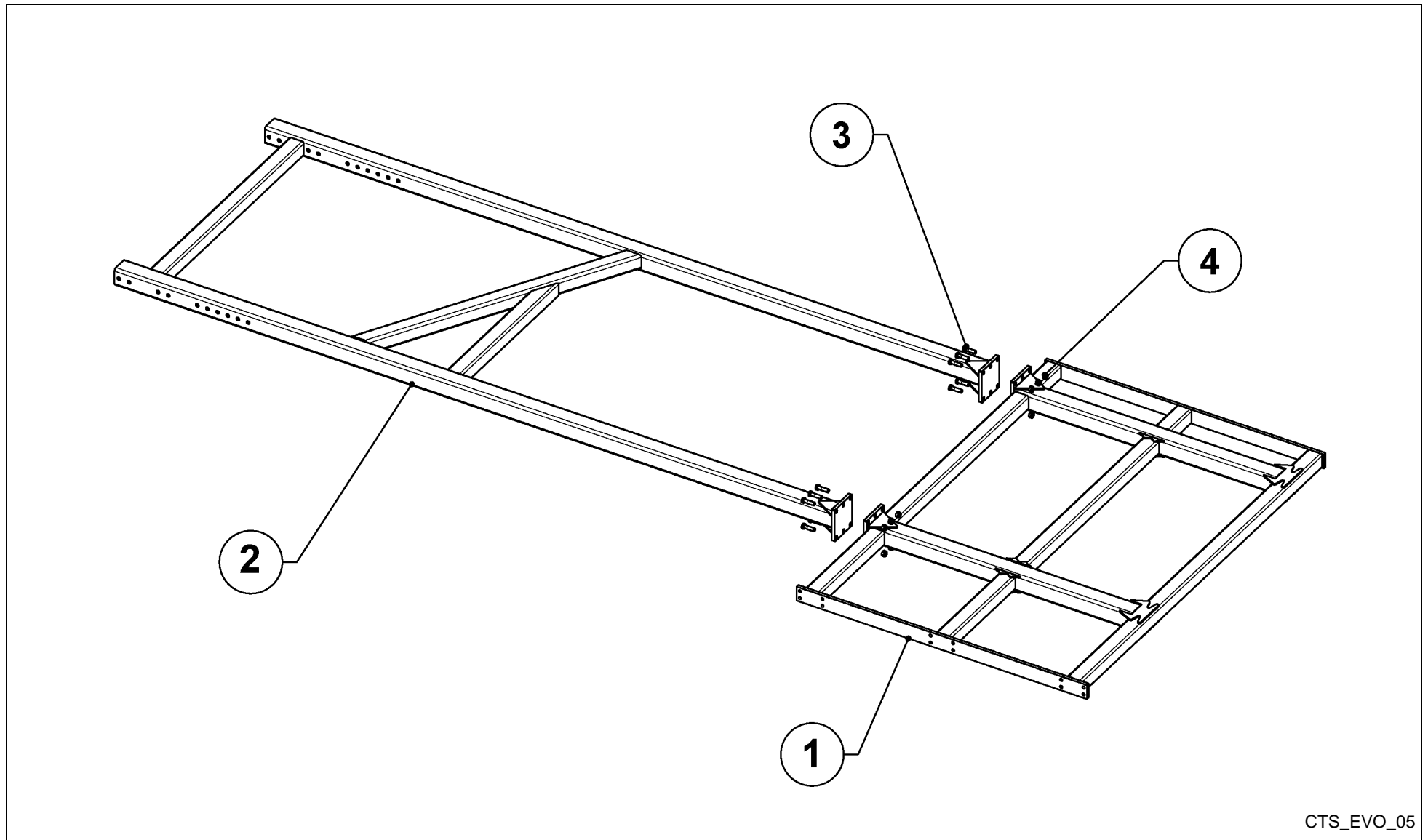


CTS_EVO_04

CTS EVO / FRAME 4,5M - FOLDABLE RIGHT SIDE



PosNo.	Part No.	Qty.	Description	Remark
1	RF2410994		4.50 M REAR RIGHT SIDE FRAME	
1	RF2414394		4.50 M REAR LEFT SIDE FRAME	
2	RF2510294		4.50 M FRONT RIGHT SIDE FRAME	
2	RF2510694		4.5 M FRONT LEFT SIDE FRAME	
3	KG01068161		LOCK NUT M20 8	
4	RF21648		SCREW TH 30X280 8.8 ZN DIN 931	
5	KG01068561		LOCK NUT M30 8	
6	KG00366661		HEX. BOLT M20X70 8.8	

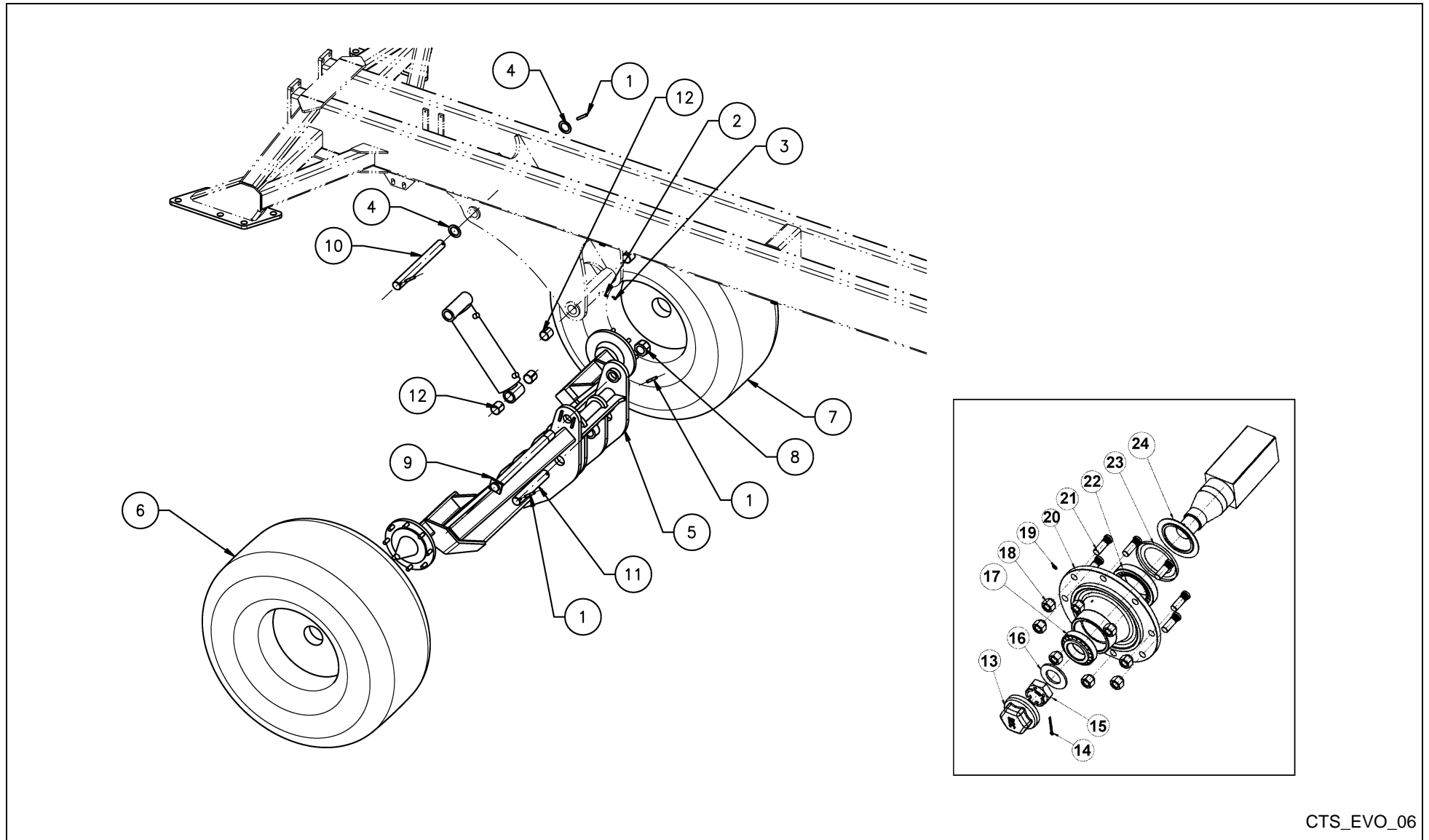


CTS_EVO_05

CTS EVO / FRAME 6M - FOLDABLE RIGHT SIDE



PosNo.	Part No.	Qty.	Description	Remark
1	RF2551794		6.00 M FRONT RIGHT SIDE FRAME	
1	RF2551994		6.00 M FRONT LEFT SIDE FRAME	
2	RF2551694		6.00 M REAR RIGHT SIDE FRAME	
2	RF2551894		6.00 M REAR LEFT SIDE FRAME	
3	KG00366661		HEX. BOLT M20X70 8.8	
4	KG01068161		LOCK NUT M20 8	

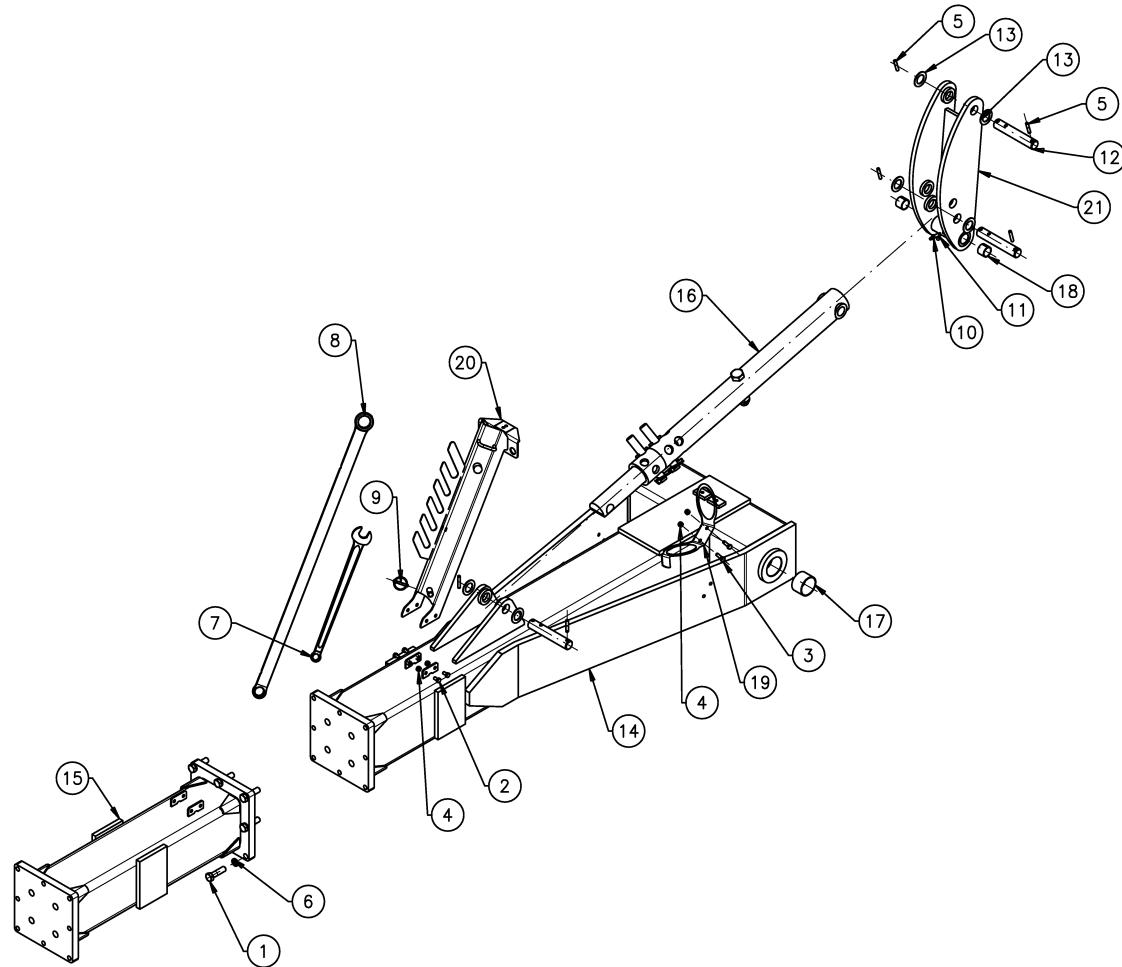


CTS_EVO_06

CTS EVO / CARRIER



PosNo.	Part No.	Qty.	Description	Remark
1	KG01195800		TENSION PIN 12X80	
2	RF00895		GREASE NIPPLE M8X125	
3	RF02345		GREASE NIPPLE MARKER GPN 985	
4	RF17441		WASHER DIAMETER 75X51X3	
5	RF2384694		WELDED WHEEL WAGON	
6	RF23897		RIGHT WHEEL 550/60X22.5/16	
7	RF23898		LEFT WHEEL 550/60X22.5/16	
8	RF23915		LOCK NUT M48	
9	RF2416894		LIFT HINGE PIN	
10	RF24171		AXLE DIA 50 LENGHT 480 MM	
11	RF24172		AXLE DIA 50 LENGHT 314 MM	
12	RF27171		RING 50/55 LENGHT 50 MM	
13	RF25531		END CAP M101.5 X 1.5	
14	KG01254261		SPLIT PIN 6.3X71 ST	
15	RF25532		CASTLE NUT 45 PITCH 200	
16	RF25536		WASHER 45X80X5	
17	KG01802600		TAPER ROLLER BEARING 32211	
18	RF25533		NUT M18 X 150	
19	RF00166		GREASE NIPPLE M6X100	
20	RF25676		HUB 8 HOLES + NUTS AND SCREWS	
21	RF25524		GUDGEON M18 X 150 LG 40/54 MM	
22	KG01807500		TAPER ROLLER BEARING 32017 X	
23	RF25535		METALLIC SEAL 32017	
24	RF25675		WASHER 75 X 129 X 4	

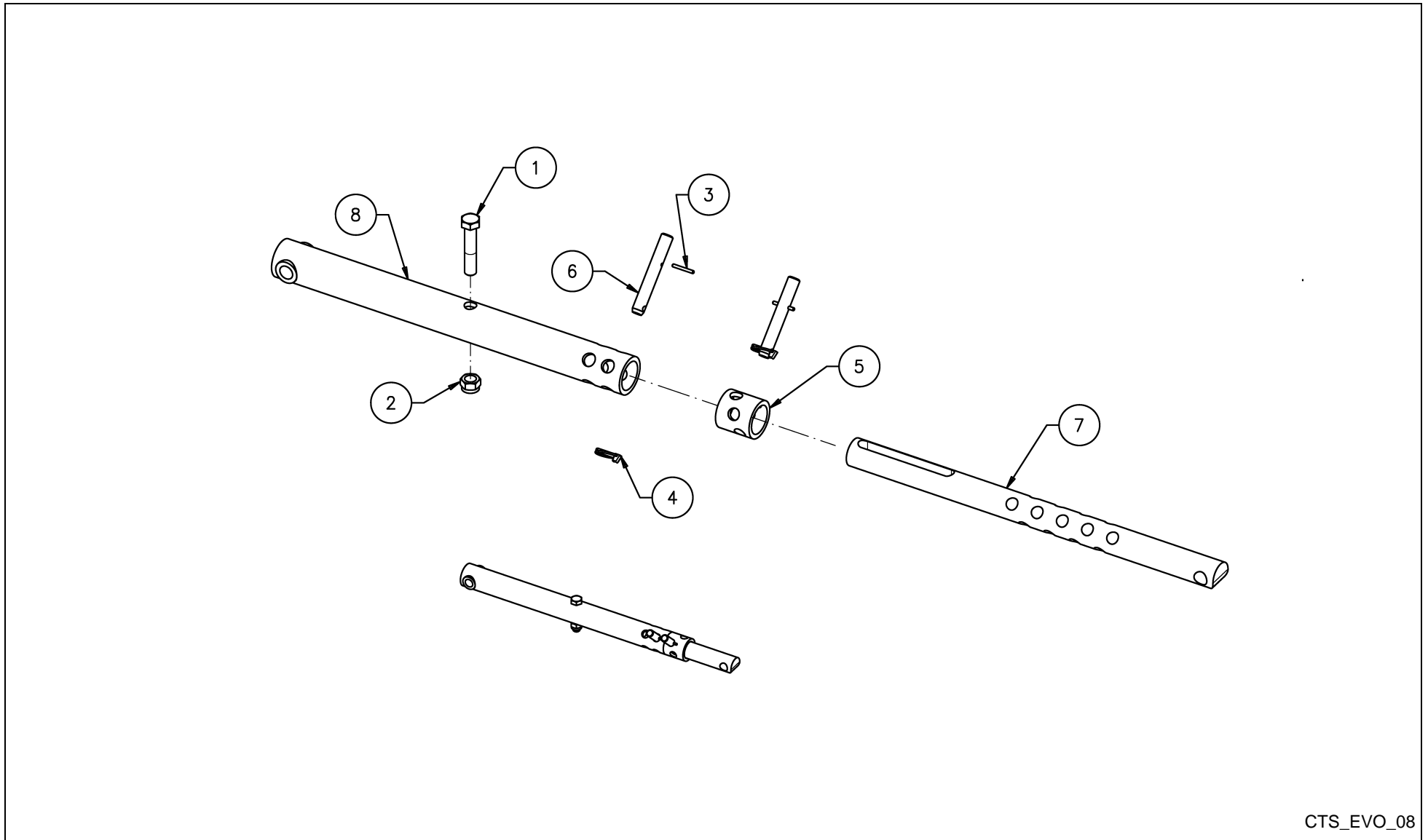


CTS_EVO_07

CTS EVO / DRAWBAR



PosNo.	Part No.	Qty.	Description	Remark
1	KG00362161		HEX. BOLT M16X60 8.8	
2	KG00471761		HEX. SCREW M8X16 8.8	
3	KG00472261		HEX. SCREW M8X30 8.8	
4	KG01067561		LOCK NUT M8 8	
5	KG01191962		TENSION PIN 8X45	
6	KG01277961		SPRING WASHER M16	
7	KK010606		SPANNER NV27-19 L450	
8	KK010650		UNIVERSAL SPANNER NV 27-36	
9	RF00438		SAFETY PIN 6X35 ZN	
10	RF00895		GREASE NIPPLE M8X125	
11	RF02345		GREASE NIPPLE MARKER GPN 985	
12	RF17712		PIN DIA 30 LG 168	
13	RF22033		YELLOW ZINCED WASHER DIA 30.5X50X2	
14	RF2388994		DRAW BAR SECTION 200 MM	
15	RF2515494		DRAW BAR EXTENSION SECTION 180 MM	
16	RF25209X0		TELESCOPIC BAR COMPLETE	
17	RF26773		RING PERMAGLIDE PAP 6040 P 10	
18	RF27169		RING 30/34 LENGHT 25 MM	
19	RF2919763		DOCUMENTS HOLDER SHEET	
20	RF2920194		HYDRAULIC HOSE HOLDER	
21	RF3020794		CONNECTING FORK	

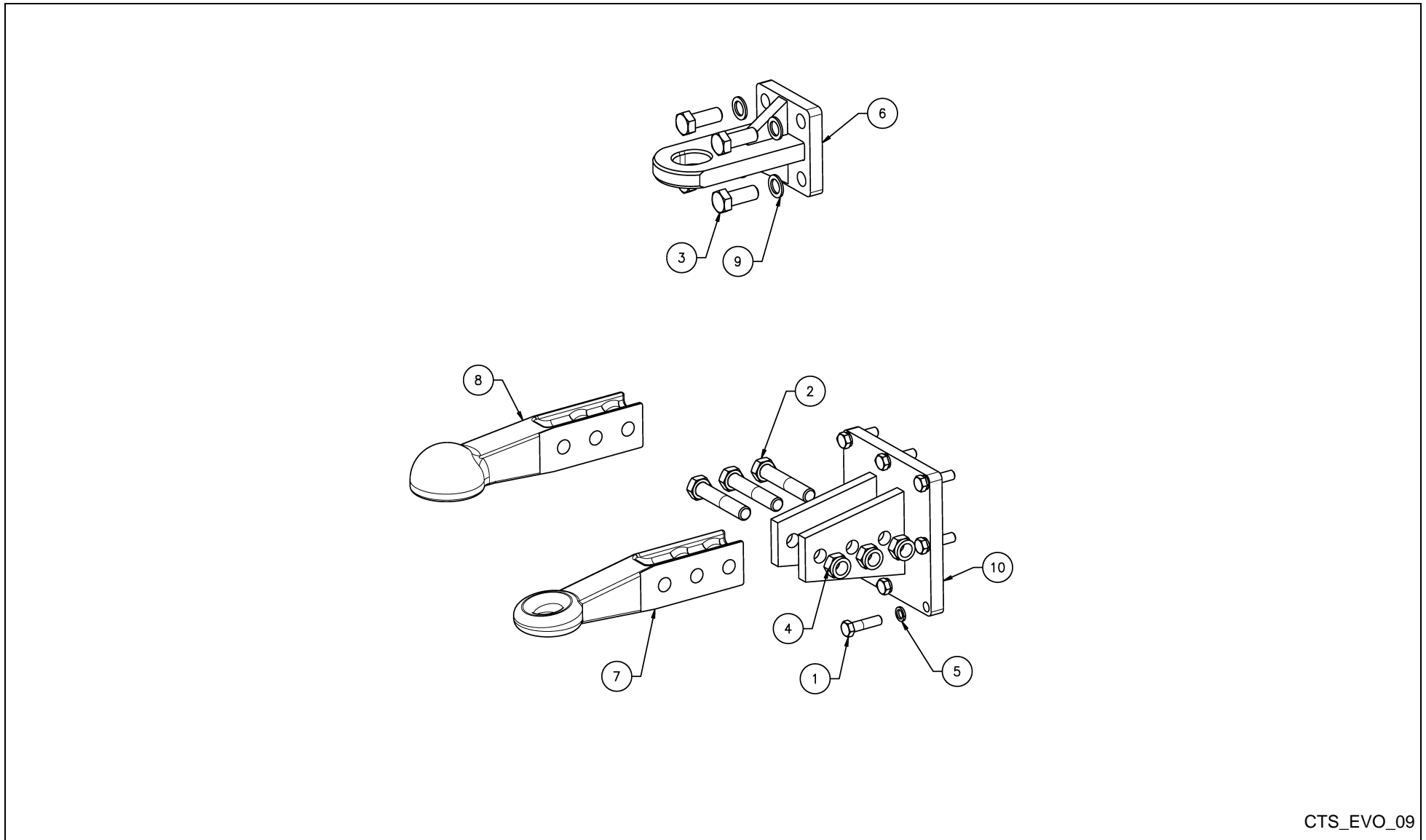


CTS_EVO_08

CTS EVO / TELESCOPIC BAR



PosNo.	Part No.	Qty.	Description	Remark
1	KG00371661		HEX. BOLT M24X120 8.8	
2	KG01068361		LOCK NUT M24 8	
3	KG01189862		TUBULAR SPLITED PIN 6X50 ZN DIN 1481	
4	RF00115		LOCK PIN 10X45 ZN	
5	RF2520863		ADJUSTMENT RING FOR TELESCOPIC BAR	
6	RF2921361		PIN Ø25 L.U. 85	
7	RF3020494		TELESCOPIC BAR LOWER SHAFT	
8	RF3020594		TELESCOPIC BAR UPPER TUBE	

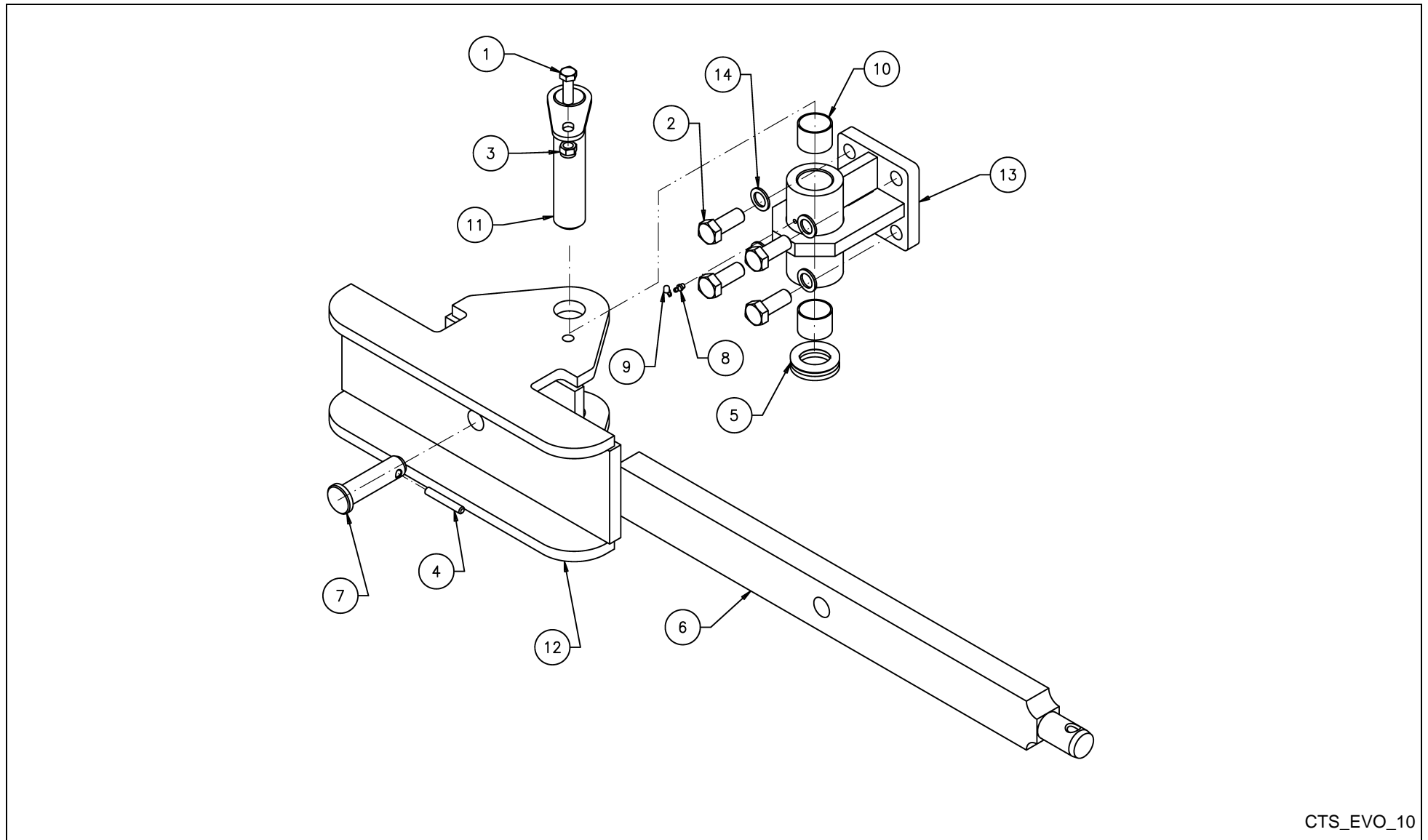


CTS_EVO_09

CTS EVO / BALL JOINT LINKAGE



PosNo.	Part No.	Qty.	Description	Remark
1	KG00362161		HEX. BOLT M16X60 8.8	
2	KG00371761		HEX. BOLT M24X130 8.8	
3	KG00486361		HEX. SCREW M24X60 8.8	
4	KG01068361		LOCK NUT M24 8	
5	KG01277961		SPRING WASHER M16	
6	RF24292		PULL EYE BOLT	
7	RF27994		DRILLED RING	
8	RF28296		BALL JOINT RING İ80 PAINTED	
9	RF28450		PAIR OF SPECIAL WASHER M24	
10	RF3020394		LINKAGE RING BRACKET	

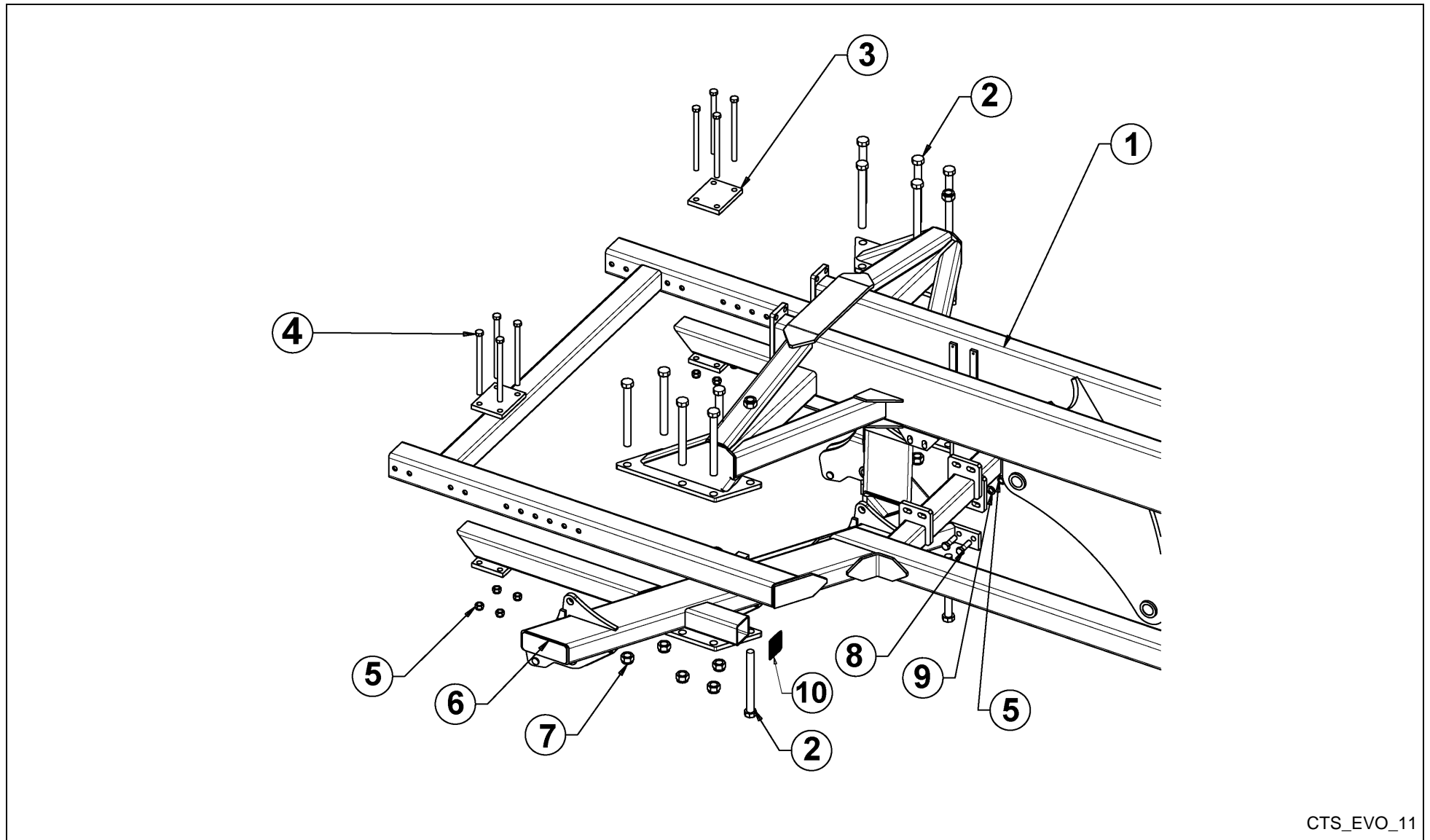


CTS_EVO_10

CTS EVO / CROSS-SHAFT BAR



PosNo.	Part No.	Qty.	Description	Remark
1	KG00480461		HEX. SCREW M16X50 8.8	
2	KG00486361		HEX. SCREW M24X60 8.8	
3	KG01067961		LOCK NUT M16 8	
4	KG01195800		TENSION PIN 12X80	
5	KG01503400		THRUST BALL BEARING 51210	
6	AC357968		SUPPORTING AXLE KAT.3 L=965/1125 Ø36,5	
6	AC357969		SUPPORTING AXLE KAT.4N L=965/1185 Ø50,0	
7	KW101500620		BOLT Ø 35	
8	RF00895		GREASE NIPPLE M8X125	
9	RF02345		GREASE NIPPLE MARKER GPN 985	
10	RF20523		RING PERMAGLIDE PAP 5040 P 20	
11	RF23771		LINKAGE PIN	
12	RF25060		WELDED LINKAGE BRACKET	
13	RF25901		DRAW BAR END WELDED	
14	RF28450		PAIR OF SPECIAL WASHER M24	

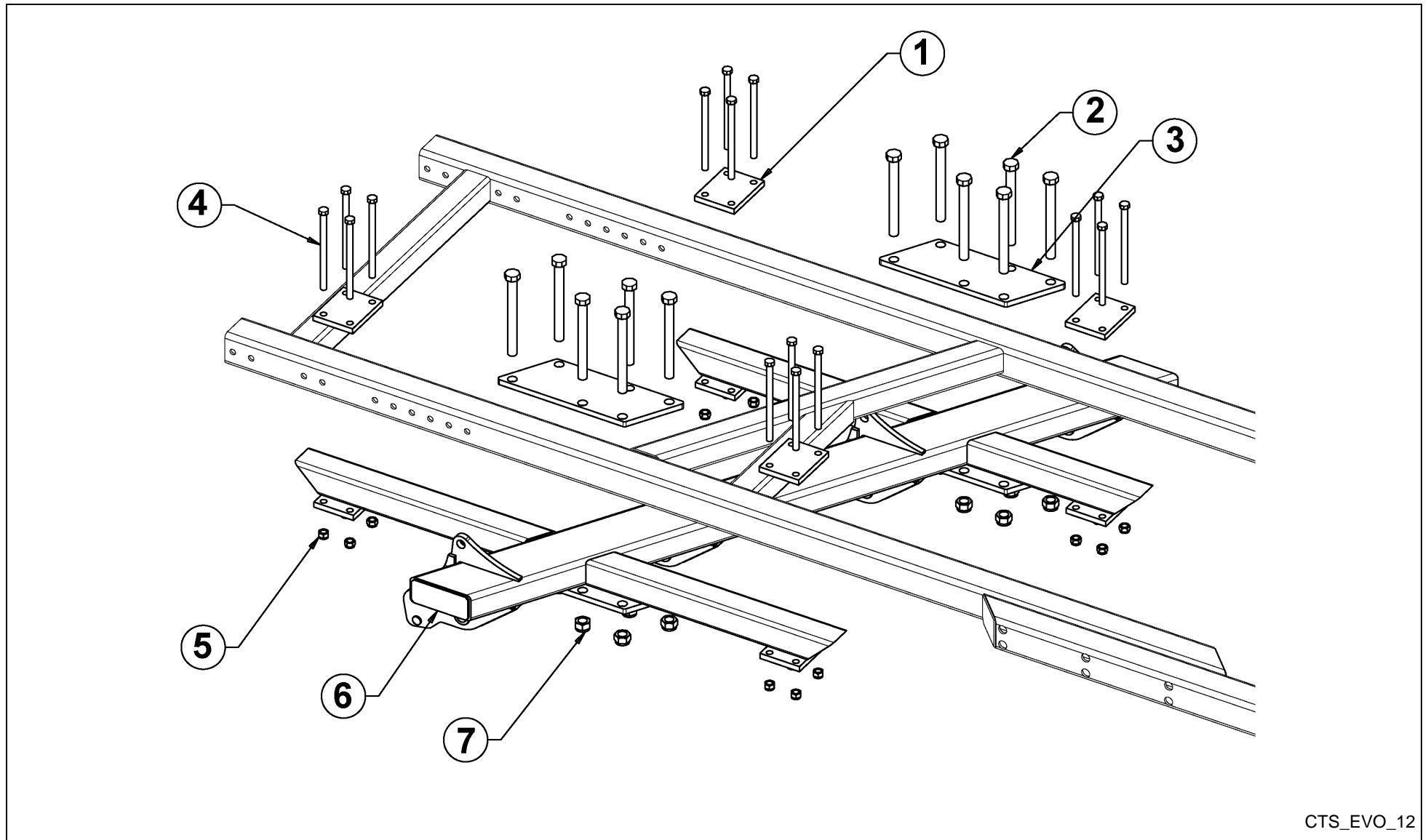


CTS_EVO_11

CTS EVO / SUBSOILING BEAM WELDED CTS 3M



PosNo.	Part No.	Qty.	Description	Remark
1	RF2431994		FIXE MAIN FRAME WELDED	
2	RF24110		HEXAGONAL SCREW 30X300 8.8 DIN 4014	
3	RF24142		LOOSENING TINE FRAME PLATE PAINTED	
4	RF24111		HEXAGONAL SCREW 20X130 8.8 DIN 4014	
5	KG01068161		LOCK NUT M20 8	
6	RF2433694		DEEP LOOSENING FRAME 3.00 M	
7	KG01068561		LOCK NUT M30 8	
8	KG00366661		HEX. BOLT M20X70 8.8	
9	KG01267961		WASHER M20	
10	AC688220		SQUARE PLUG Q 100X100X6	



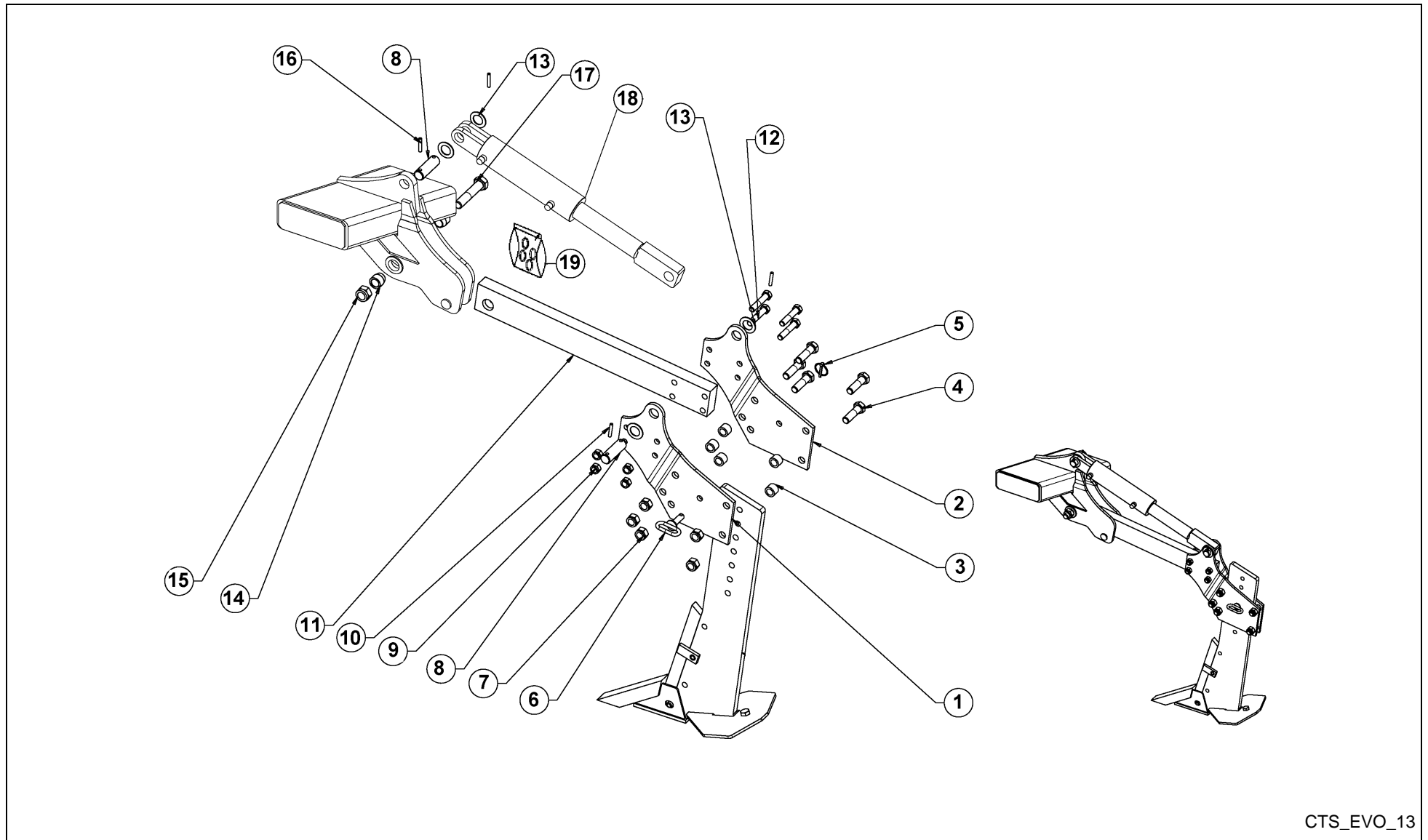
CTS_EVO_12

CTS EVO / SUBSOILING BEAM WELDED CTS 4,50M



PosNo.	Part No.	Qty.	Description	Remark
1	RF24142		LOOSENING TINE FRAME PLATE PAINTED	
2	RF24110		HEXAGONAL SCREW 30X300 8.8 DIN 4014	
3	RF3021394		PLATE FOR DEEP LOOSENING MODULE	
4	RF24111		HEXAGONAL SCREW 20X130 8.8 DIN 4014	
5	KG01068161		LOCK NUT M20 8	
6	RF2413694		4.50 M V RIGHT BEAM DEEP LOOSENING	
6	RF2414094		4.50 M V LEFT BEAM DEEP LOOSENING	
6	RF2553994		6.00 M V RIGHT BEAM DEEP LOOSENING	
6	RF25541		LEFT BEAM DEEP LOOSENING SECTION 6.00 M	
7	KG01068561		LOCK NUT M30 8	

CTS EVO / SUBSOILING TINE HOLDER

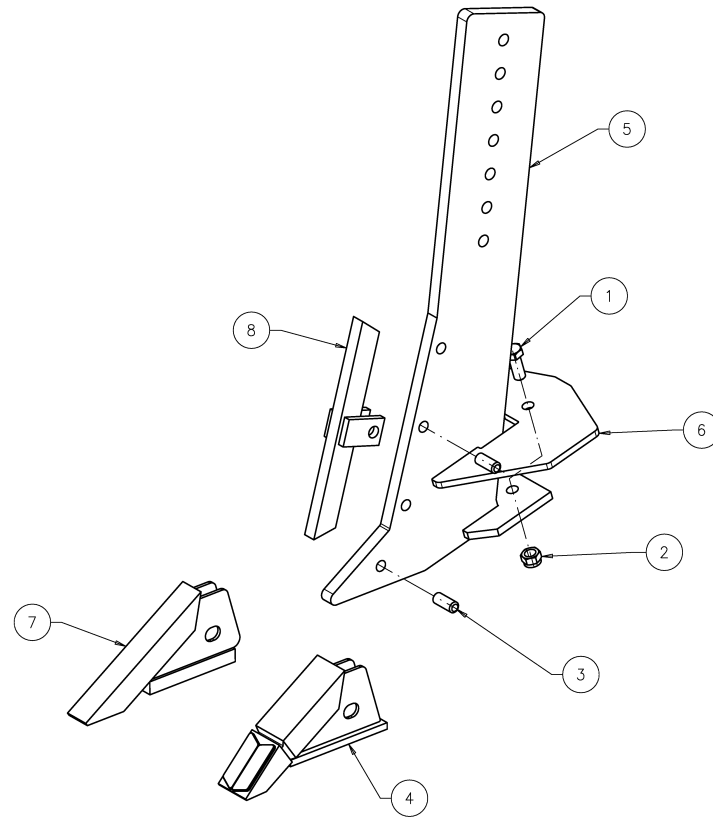


CTS_EVO_13

CTS EVO / SUBSOILING TINE HOLDER



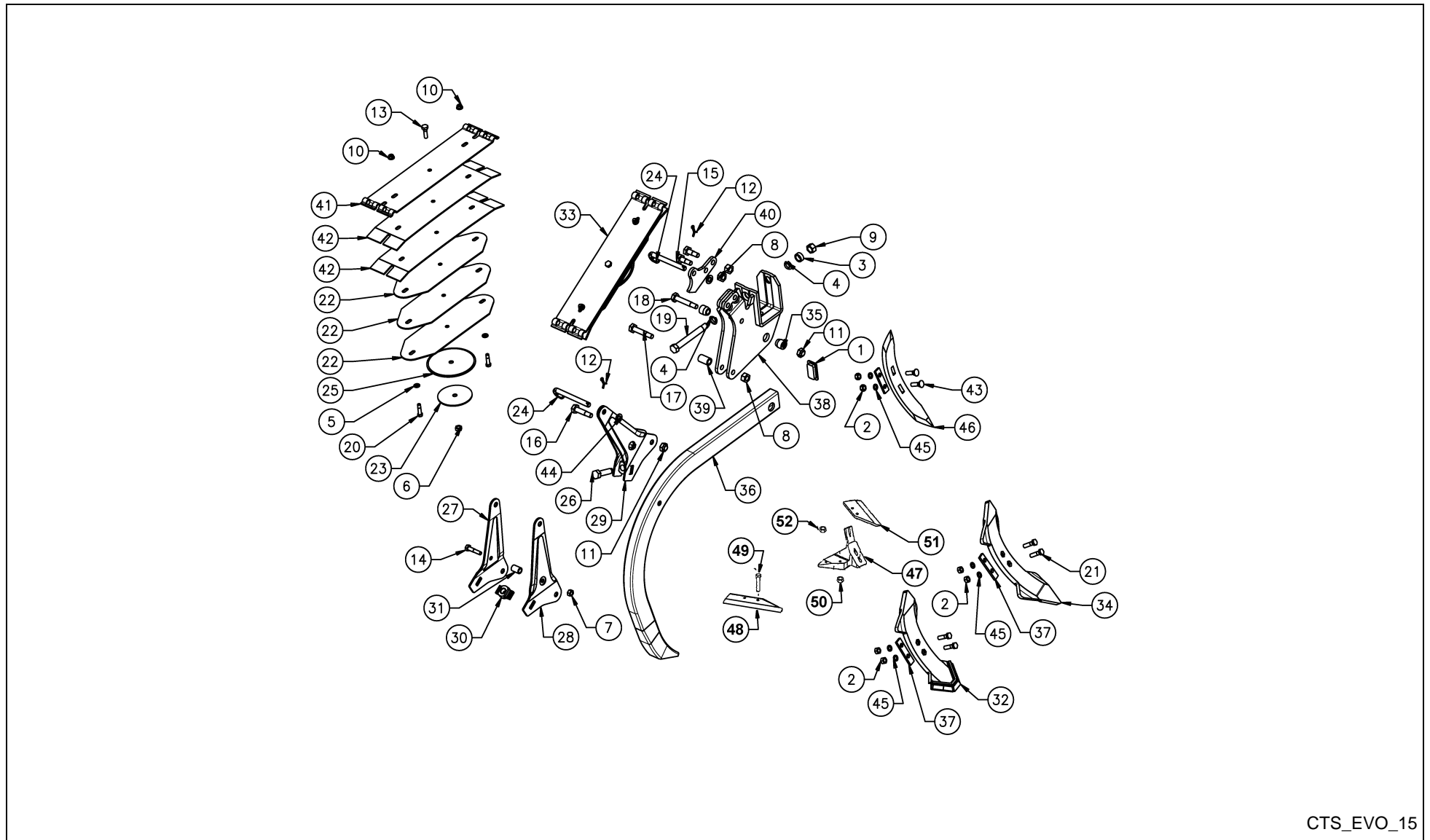
PosNo.	Part No.	Qty.	Description	Remark
1	RF25188		LEFT LOOSENING ARM TINE PLATE	
2	RF25187		RIGHT LOOSENING ARM TINE PLATE	
3	RF2520463		BUSH Ø30 Ø20,1 LG 22	
4	KG00366661		HEX. BOLT M20X70 8.8	
5	RF00438		SAFETY PIN 6X35 ZN	
6	RF0881563		SETTING PIN FOR DISC	
7	KG01068161		LOCK NUT M20 8	
8	RF17711		TROLLEY LINK PIN PMH 2P SP 92	
9	KG01067961		LOCK NUT M16 8	
10	KG01191962		TENSION PIN 8X45	
11	RF25184		CTS LOOSENING TINE ARM	
12	KG00362561		HEX. BOLT M16X80 8.8	
13	RF22033		YELLOW ZINCED WASHER DIA 30.5X50X2	
14	KK074913		CONE D24-D35X33	
15	KG01068361		LOCK NUT M24 8	
16	KG01191962		TENSION PIN 8X45	
17	KG00371661		HEX. BOLT M24X120 8.8	
18	RF24757		KV HYD. CYLINDER DE 70X50 C200	
19	RF25512		70/50 C200 CYLINDER SEAL KIT (RF24756)	



CTS EVO / SUBSOILING TINE



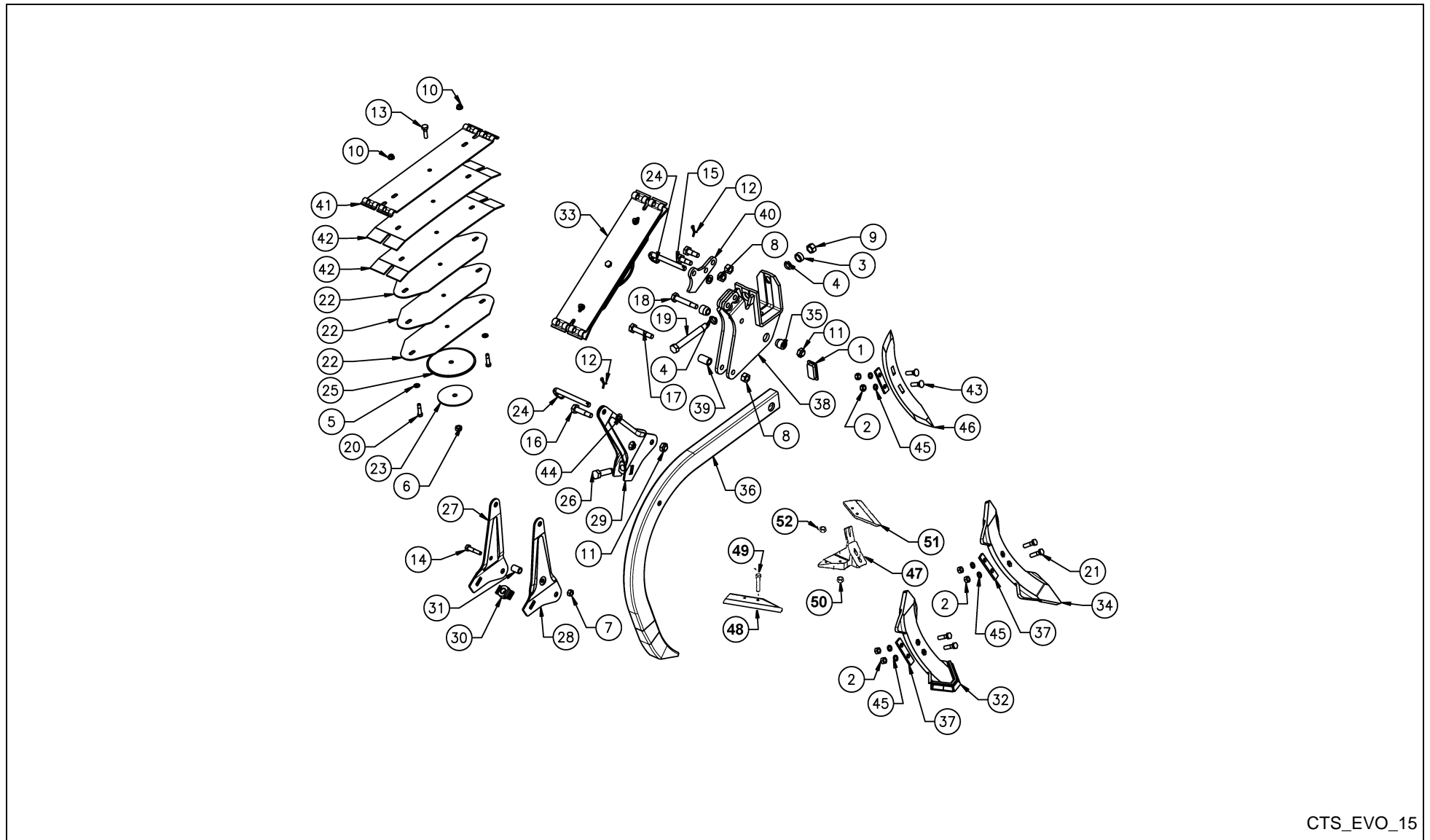
PosNo.	Part No.	Qty.	Description	Remark
1	KG00480261		HEX. SCREW M16X40 8.8	
2	KG01067961		LOCK NUT M16 8	
3	KG01197762		TENSION PIN 16X40	
4	KK083050		CARBIDE DEEP LOOSENING POINT	
5	RF24266		SOIL LOOSENING TINE	
6	RF2426994		SUBSOILING BLADE	
7	RF24272		SHARE	
8	RF2446794		SUBSOILING COULTER	



CTS EVO / CLD NON-STOP SUBBLING TINE



PosNo.	Part No.	Qty.	Description	Remark
1	AC271800		SQUARE PLUG	
2	KG01050561		HEX. NUT M12 10	
3	KK010170		BUSHING D30 X D21	
4	KK012813		CONIC WASHER EXTENDED TO D20	
5	KK012820		WASHER D10,5XD20X2	
6	KK015817		NUT M12 GALV.	
7	KK015818		NUT M12 BLACK	
8	KK015825		NUT M16	
9	KK015830		NUT M20	
10	KK016007		FLANGE NUT M10	
11	KK016025		LOCK NUT M16	
12	KK029727		SPLIT PIN D5X32	
13	KK032640		HEX BOLT M12X40	
14	KK032655		HEX BOLT M12 X 55	
15	KK032745		HEX BOLT M16X45 10.9	
16	KK032770		HEX BOLT M16X70 10.9	
17	KK032785		HEX BOLT M16X85 10.9	
18	KK032795		HEX BOLT M16X95 10.9	
19	KK032808		HEX BOLT M20X160 10.9 THREAD L=25	
20	KK035027		HEX BOLT M10X41 8.8	
21	KK035033		6KT.SKRUE M12 X 35 RUSTFRI	
22	KK057066		SPRING BLADE NO. 3	
23	KK057067		SPRING BLADE NO. 4	
24	KK057089		SPRING BOLT	
25	KK057093		SPRING BLADE D170	
26	KK067042		ADJUST SCREW M20X75 GALV 10.9	
27	KK06706388		SIDE PLATE RIGHT	
28	KK06706488		SIDEPLATE LEFT	
29	KK077003		LEAF SPRING (ADJ	
30	KK077011		THREADED PIECE M20	
31	KK077012R		SPACING TUBE	
32	KK083071		POINT W. TC PLATED STEEL RAIL W	
33	KK089680		SHORT SPRING HD + SPRING BLADE N3	
34	KK131123		DOUBLE HART CULTIVATOR SHARE	
35	KK301080		CONE	
36	KK301216		CHISELPLOGTINDE CLB	
37	KK301256		PLATE WITH 2 HOLES	
38	KK30146594		TINE HOLDER WELDED	
39	KK301472		BUSHING	
40	KK30148000		CLAMPING PLATE FOR SPRING W STOPPER	

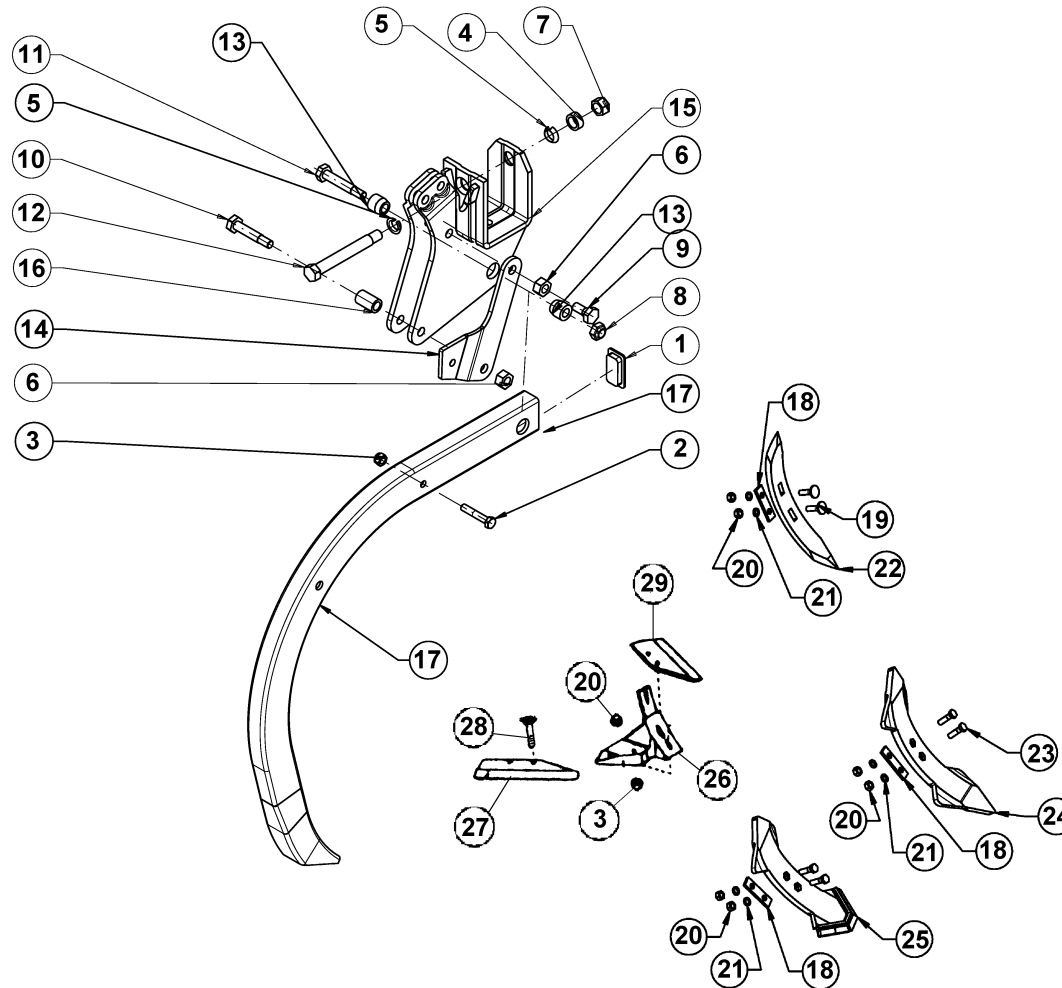


CTS_EVO_15

CTS EVO / CLD NON-STOP SUBBLING TINE



PosNo.	Part No.	Qty.	Description	Remark
41	KK303134		MAIN BLADE	
42	KK303172		BLADE NO.1	
43	RF00744		SCREW TFCC 12X45 8.8 NF E27354	
44	RF01991		WASHER 16.5X30X3 NFE 27611	
45	RF15188		PAIR OF SPECIAL WASHER M12	
46	RF1574302		SHARE	
47	KK131122		SADDLE	
48	KK109050		330 MM CLD RIGHT WING	
48	KK109052		SHARE TC 295 R	
49	KK013229		SCREW KON.	
50	KG01067761		LOCK NUT M12 8	
51	KK109051		330 MM CLD LEFT WING	
51	KK109053		SHARE TC 295 L	
52	KG01050561		HEX. NUT M12 10	

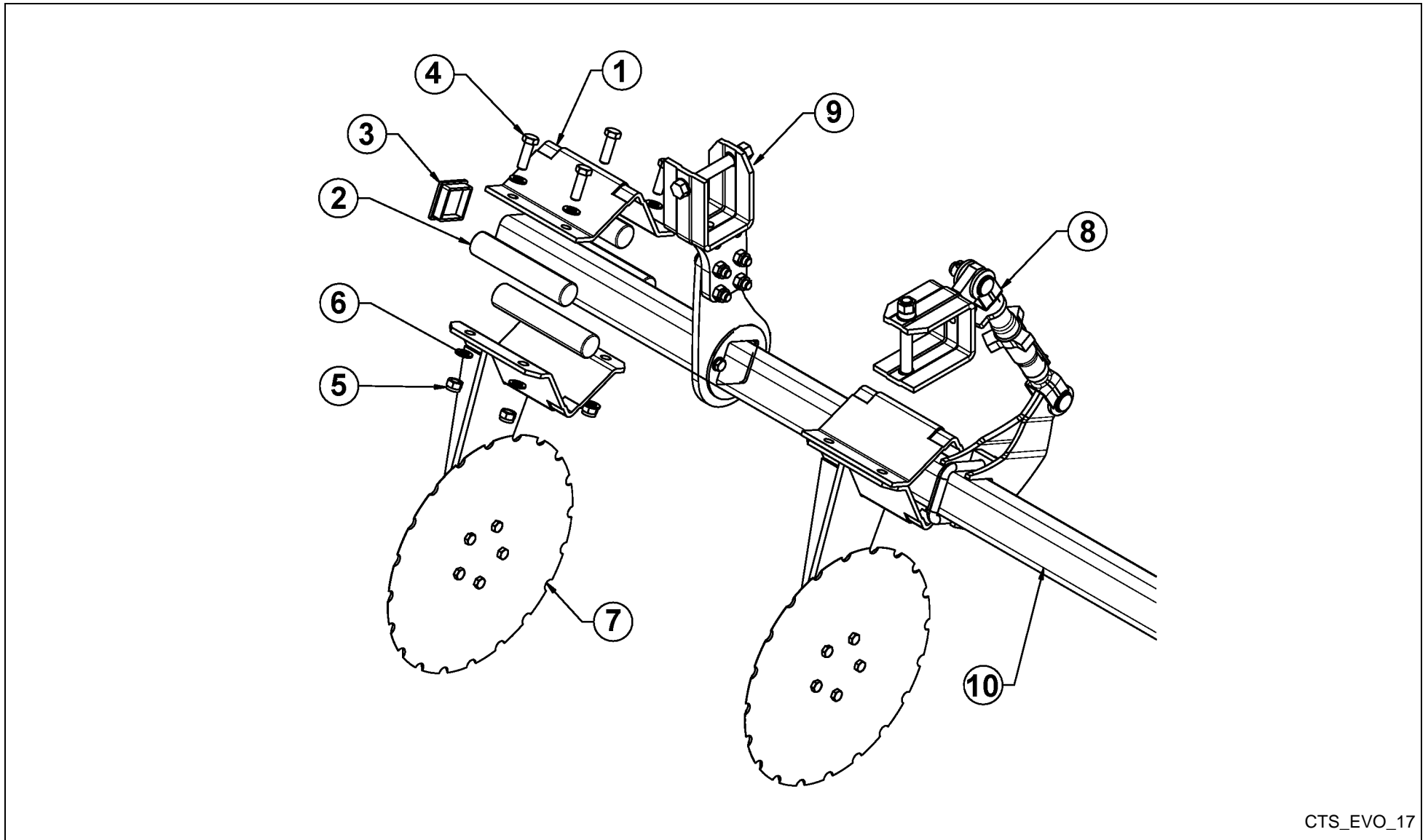


CTS EVO / CLD BOLT SECURITY TINE



PosNo.	Part No.	Qty.	Description	Remark
1	AC271800		SQUARE PLUG	
2	KG00357861		HEX. BOLT M12X65 8.8	
3	KG01067761		LOCK NUT M12 8	
4	KK010170		BUSHING D30 X D21	
5	KK012813		CONIC WASHER EXTENDED TO D20	
6	KK015825		NUT M16	
7	KK015830		NUT M20	
8	KK016025		LOCK NUT M16	
9	KK032735		HEX BOLT M16X35 10.9	
10	KK032785		HEX BOLT M16X85 10.9	
11	KK032795		HEX BOLT M16X95 10.9	
12	KK032808		HEX BOLT M20X160 10.9 THREAD L=25	
13	KK301080		CONE	
14	KK301455		PLATE	
15	KK30146594		TINE HOLDER WELDED	
16	KK301472		BUSHING	
17	KK301474		TINE CLD SHORT	
18	KK301256		PLATE WITH 2 HOLES	
19	RF00744		SCREW TFCC 12X45 8.8 NF E27354	
20	KG01050561		HEX. NUT M12 10	
21	RF15188		PAIR OF SPECIAL WASHER M12	
22	RF1574302		SHARE	
23	KK035033		6KT.SKRUE M12 X 35 RUSTFRI	
24	KK131123		DOUBLE HART CULTIVATOR SHARE	
25	KK083071		POINT W. TC PLATED STEEL RAIL W	
26	KK131122		SADDLE	
27	KK109050		330 MM CLD RIGHT WING	
27	KK109052		SHARE TC 295 R	
28	KK013229		SCREW KON.	
29	KK109051		330 MM CLD LEFT WING	
29	KK109053		SHARE TC 295 L	

CTS EVO / FRONT CUTTING DISC (1)



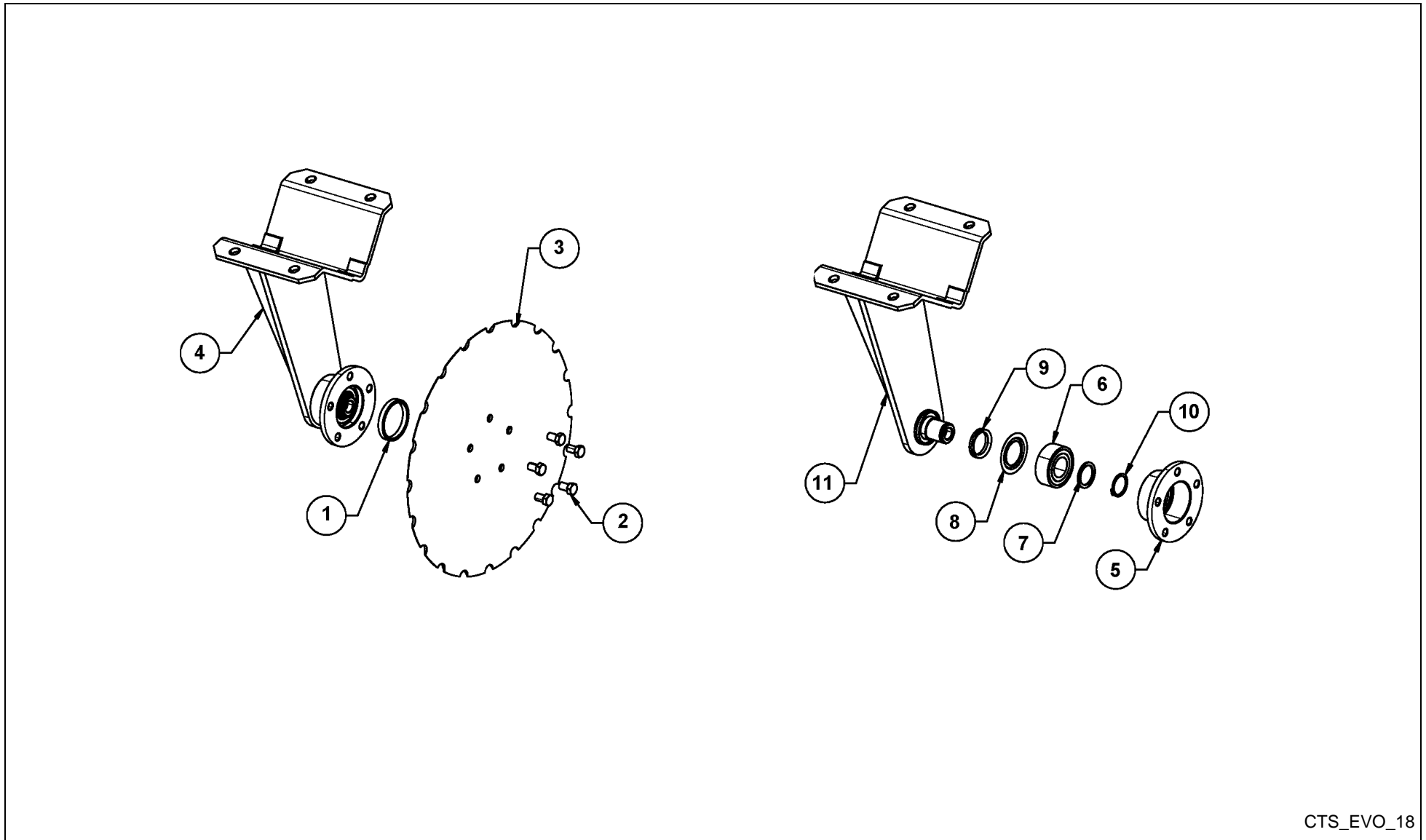
CTS_EVO_17

CTS EVO / FRONT CUTTING DISC (1)



PosNo.	Part No.	Qty.	Description	Remark
1	AC353521		LIMIT STOP CLIP	
2	AC353962		RUBBERELEMENT D = 44, L = 220	
3	AC688221		SQUARE PLUG 70X70X4	
4	KG00480461		HEX. SCREW M16X50 8.8	
5	KG01067961		LOCK NUT M16 8	
6	RF01991		WASHER 16.5X30X3 NFE 27611	
7	RF26952		FCD DISC EQUIPPED	
8	RF26953X0		FCD FMD SETTING TENSION SYSTEM	
9	RF26954X0		EQUIPPED FCD FMD BEARING	
10	RF2995594		SQUARE TUBE 80X80X8 LENGHT 2990	
10	RF2980994		SQUARE TUBE 80X8 LENGHT 2349	
10	RF3010294		SQUARRE TUBE 800X8 LENGHT 1990	
10	RF26956		SQUARE TUBE LENGHT 2690	
10	RF3029594		SQUARE TUBE 80X8 LENGHT 3090	

CTS EVO / FRONT CUTTING DISC (2)



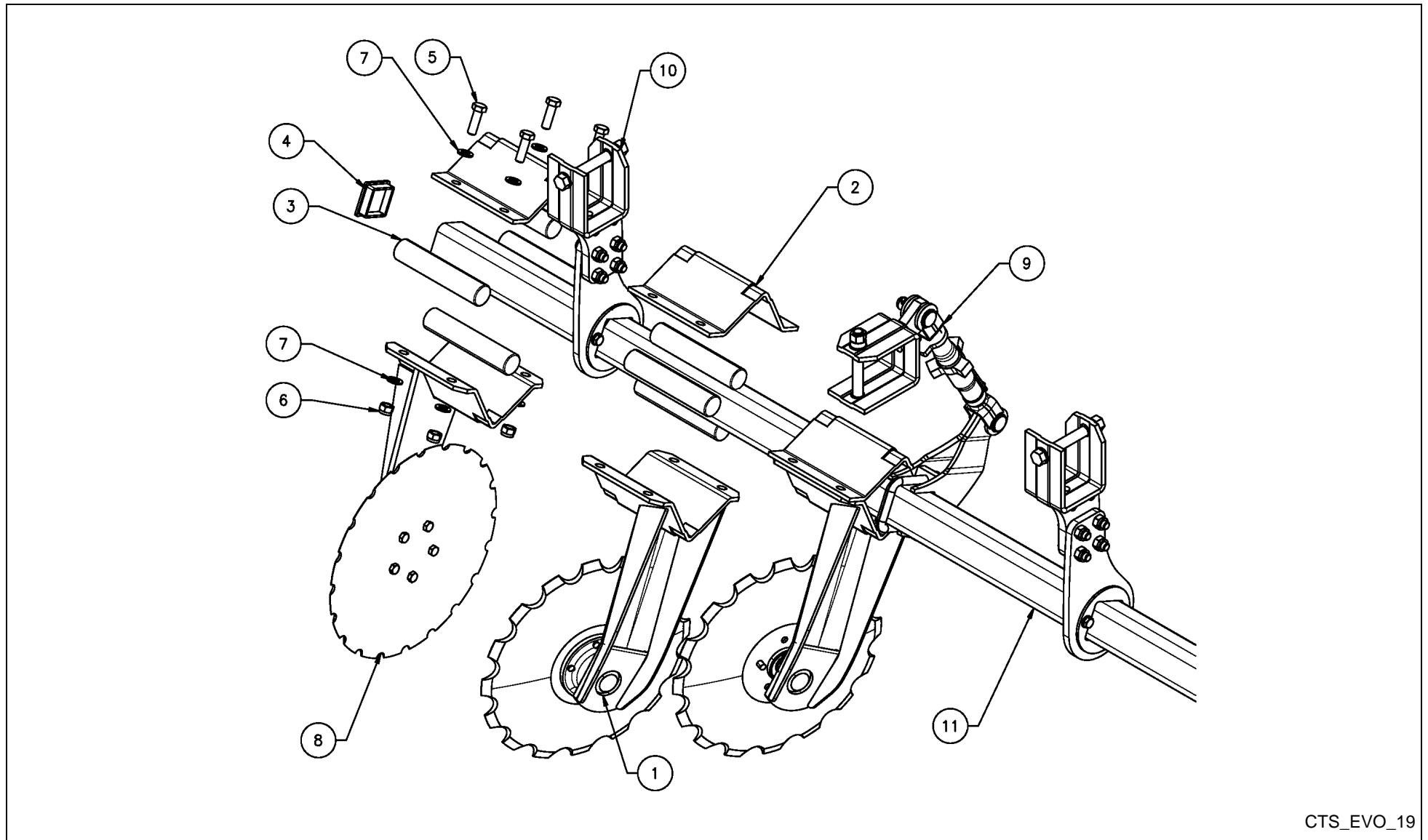
CTS_EVO_18

CTS EVO / FRONT CUTTING DISC (2)



PosNo.	Part No.	Qty.	Description	Remark
1	AC353362		SUPPORT RING	
2	AC631335		HEXAGON SCREW M12X1,5X20 GALVA	
3	KW250815		NOTCHED DISC DIA 450 MM	
4	RF27320		FCD HOLDER WITH HUB	
5	AC353361		BEARING BUSH	
6	AC671260		DOUBLE-ROW ANGULAR CONTACT BALL BEARING	
7	AC674404		STÜTZSCHEIBE35X45X2,5 988	
8	AC674463		NILOS RING 3207 JV	
9	AC682981		V-RING V40A 3992 TYP A	
10	KG01109300		CIRCLIP-A 35 X 1.5	
11	RF27533		FCD HOLDER WELDED	

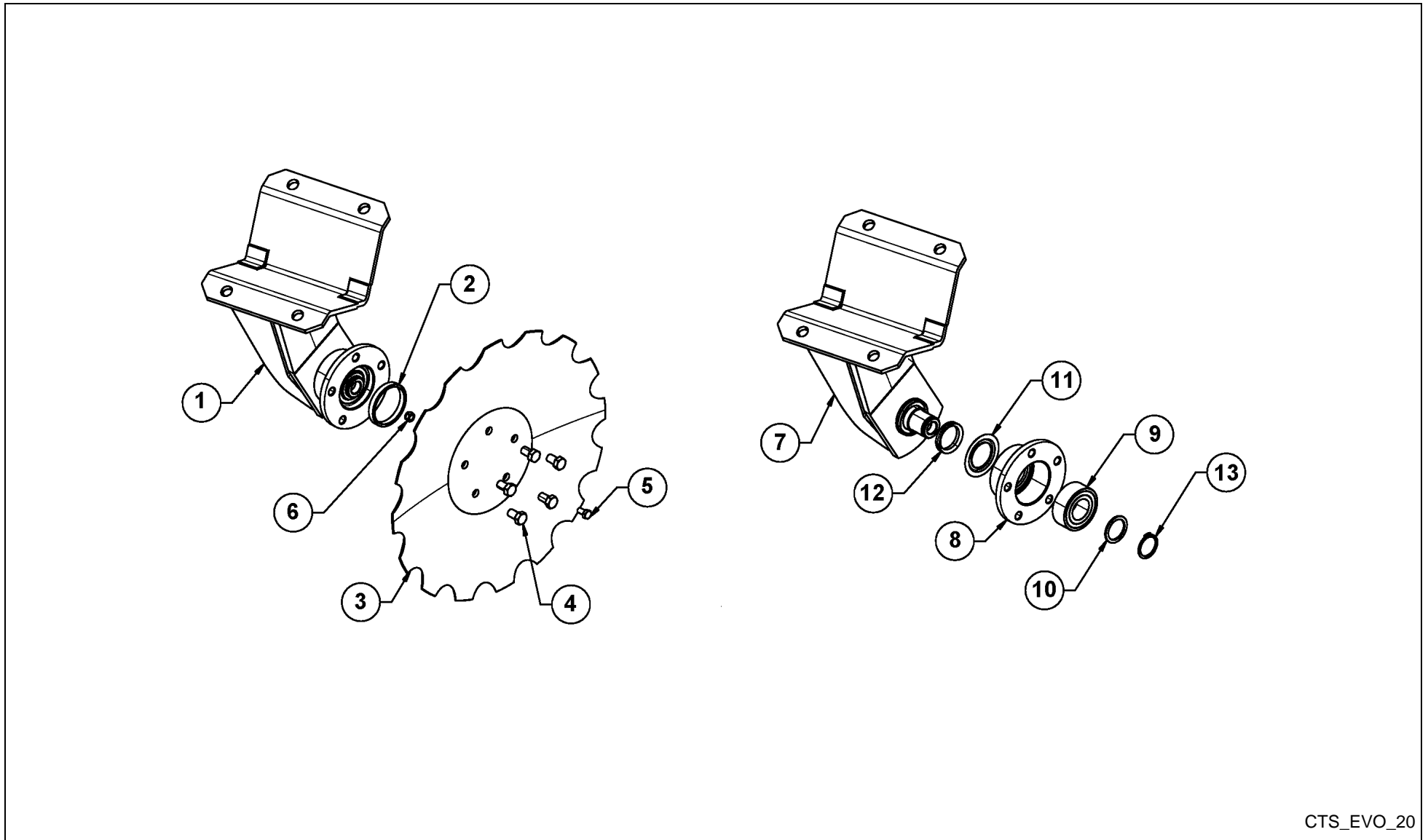
CTS EVO / FRONT MIXING DISC (1)



CTS_EVO_19

CTS EVO / FRONT MIXING DISC (1)

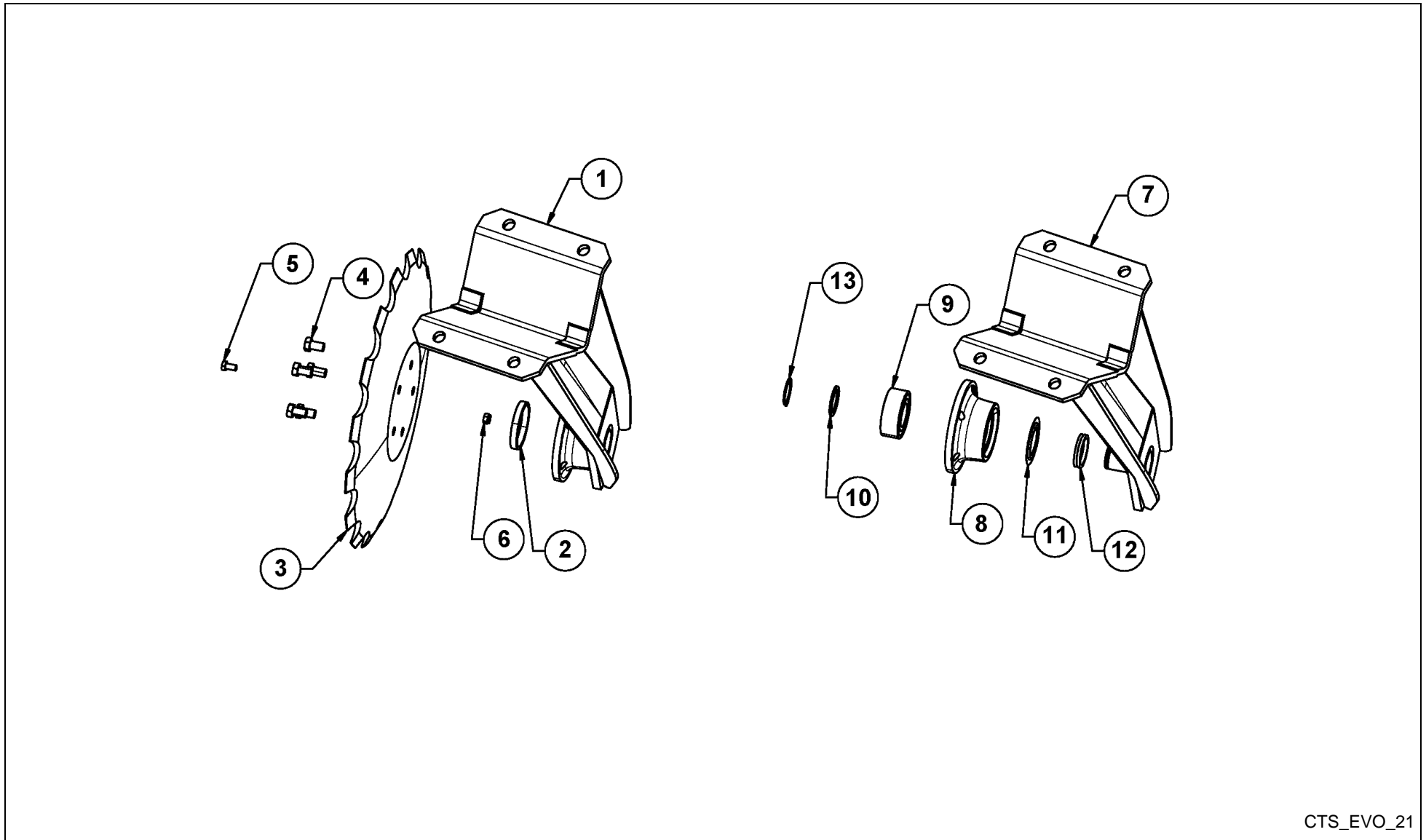
PosNo.	Part No.	Qty.	Description	Remark
1	AC353118		FMD DISC LEFT EQUIPPED	
2	AC353521		LIMIT STOP CLIP	
3	AC353962		RUBBERELEMENT D = 44, L = 220	
4	AC688221		SQUARE PLUG 70X70X4	
5	KG00480461		HEX. SCREW M16X50 8.8	
6	KG01067961		LOCK NUT M16 8	
7	RF01991		WASHER 16.5X30X3 NFE 27611	
8	RF26952		FCD DISC EQUIPPED	
9	RF26953X0		FCD FMD SETTING TENSION SYSTEM	
10	RF26954X0		EQUIPPED FCD FMD BEARING	
11	RF2995594		SQUARE TUBE 80X80X8 LENGHT 2990	
11	RF2980994		SQUARE TUBE 80X8 LENGHT 2349	
11	RF3010294		SQUARRE TUBE 800X8 LENGHT 1990	
11	RF3029594		SQUARE TUBE 80X8 LENGHT 3090	
11	RF26956		SQUARE TUBE LENGHT 2690	



CTS_EVO_20

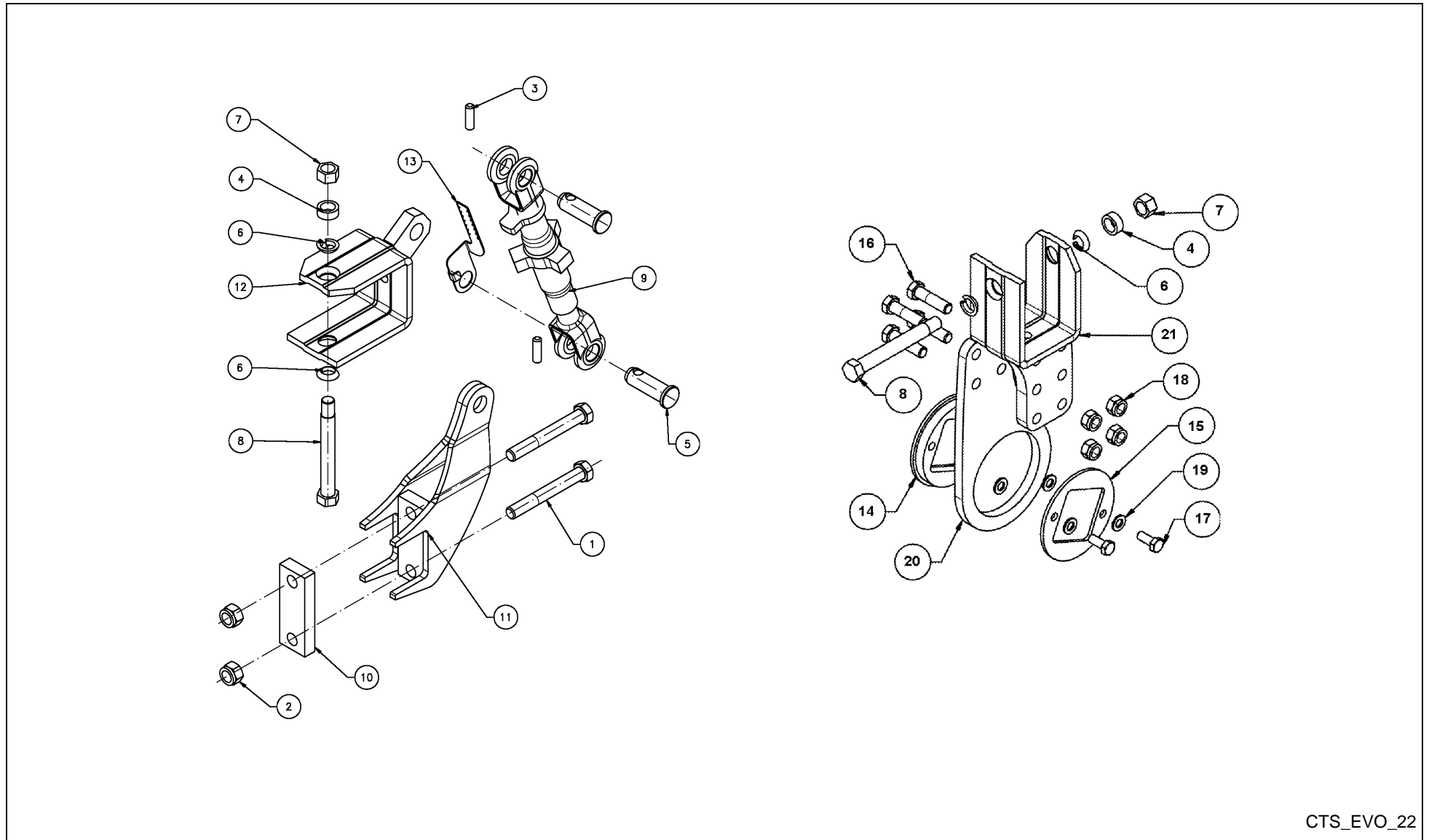
CTS EVO / FRONT MIXING DISC (2)

PosNo.	Part No.	Qty.	Description	Remark
1	AC353126		SUPPORT BEARING FRONT PRE-ASSEMBLED	
2	AC353362		SUPPORT RING	
3	AC353951		HOLLOW DISC D = 18"	
4	AC631335		HEXAGON SCREW M12X1,5X20 GALVA	
5	KG00471761		HEX. SCREW M8X16 8.8	
6	KG01067561		LOCK NUT M8 8	
7	AC353216		BEARING DISC IN FRONT WELDED	
8	AC353361		BEARING BUSH	
9	AC671260		DOUBLE-ROW ANGULAR CONTACT BALL BEARING	
10	AC674404		STÜTZSCHEIBE35X45X2,5 988	
11	AC674463		NILOS RING 3207 JV	
12	AC682981		V-RING V40A 3992 TYP A	
13	KG01109300		CIRCLIP-A 35 X 1.5	



CTS EVO / FRONT MIXING DISC (3)

PosNo.	Part No.	Qty.	Description	Remark
1	AC353127		SUPPORT BEARING BACK PRE-ASSEMBLED	
2	AC353362		SUPPORT RING	
3	AC353951		HOLLOW DISC D = 18"	
4	AC631335		HEXAGON SCREW M12X1,5X20 GALVA	
5	KG00471761		HEX. SCREW M8X16 8.8	
6	KG01067561		LOCK NUT M8 8	
7	AC353215		BEARING DISC BACK WELDED	
8	AC353361		BEARING BUSH	
9	AC671260		DOUBLE-ROW ANGULAR CONTACT BALL BEARING	
10	AC674404		STÜTZSCHEIBE35X45X2,5 988	
11	AC674463		NILOS RING 3207 JV	
12	AC682981		V-RING V40A 3992 TYP A	
13	KG01109300		CIRCLIP-A 35 X 1.5	

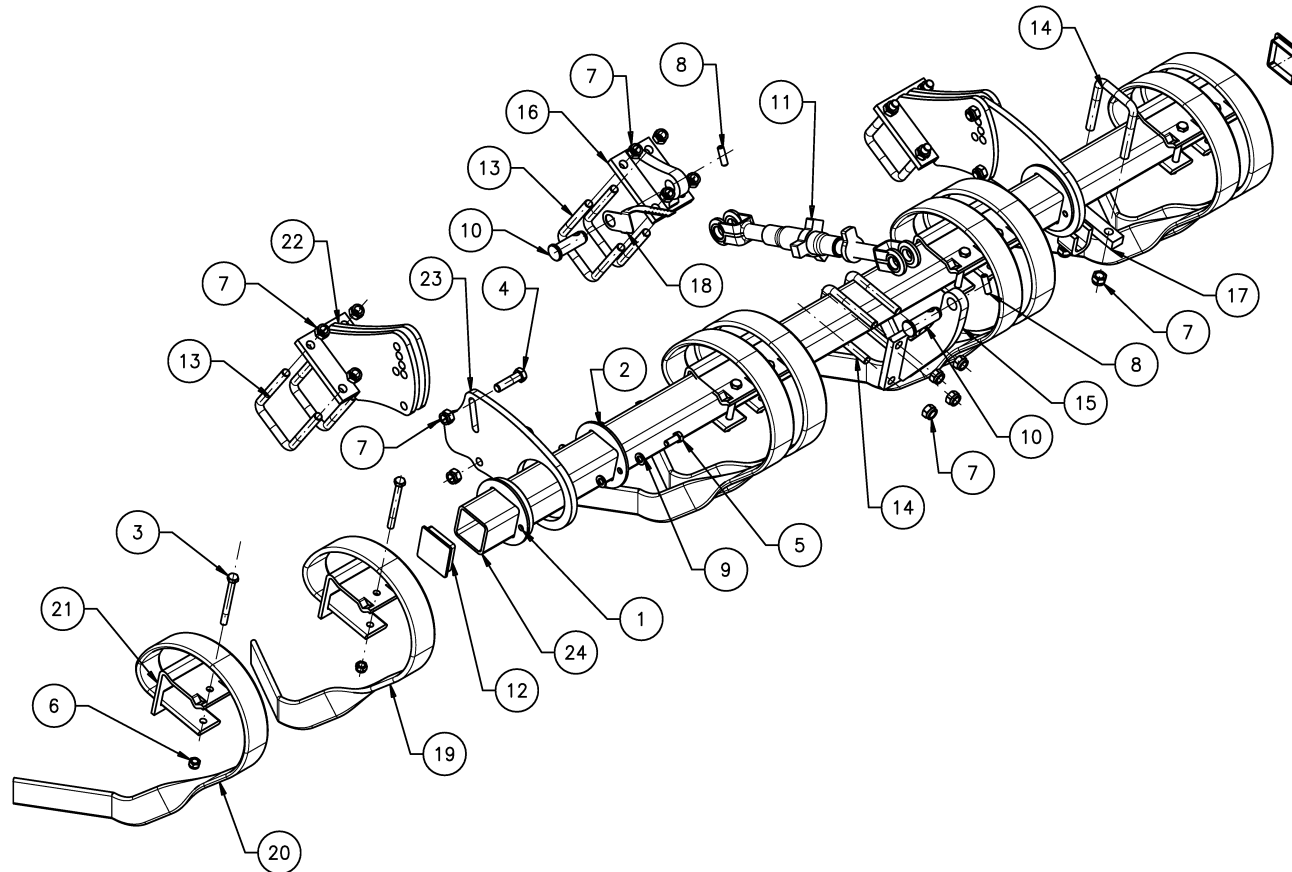


CTS_EVO_22

CTS EVO / FRONT CUTTING DISC / FRONT MIXING DISC



PosNo.	Part No.	Qty.	Description	Remark
1	KG00365561		HEX. BOLT M18X140 8.8	
2	KG01068061		LOCK NUT M18 8	
3	KG01195400		TENSION PIN 12X40	
4	KK010170		BUSHING D30 X D21	
5	KK010315		BOLT W/ HEAD D25.3X60	
6	KK012813		CONIC WASHER EXTENDED TO D20	
7	KK015830		NUT M20	
8	KK032808		HEX BOLT M20X160 10.9 THREAD L=25	
9	KK361120		TURNBUCKLE 390-520	
10	RF2756394		FIXING PLATE 2 HOLES Ø19 TUBE 80	
11	RF27564		LOWER TURNBUCKLE HOLDER	
12	RF27567		UPPER TURNBUCKLE HOLDER	
13	RF2972800		TURNBUCKLE RULE 65 MM	
14	AC356127		REINFORCING-RING	
15	AC356559		REINFORCING-RING	
16	KG00362161		HEX. BOLT M16X60 8.8	
17	KG00476561		HEX. SCREW M12X30 8.8	
18	KG01067961		LOCK NUT M16 8	
19	KG01267561		WASHER M12	
20	RF27557		ARTICULATION HOLDER PAINTED	
21	RF27560		BEAM ARTICULATION HOLDER WELDED	

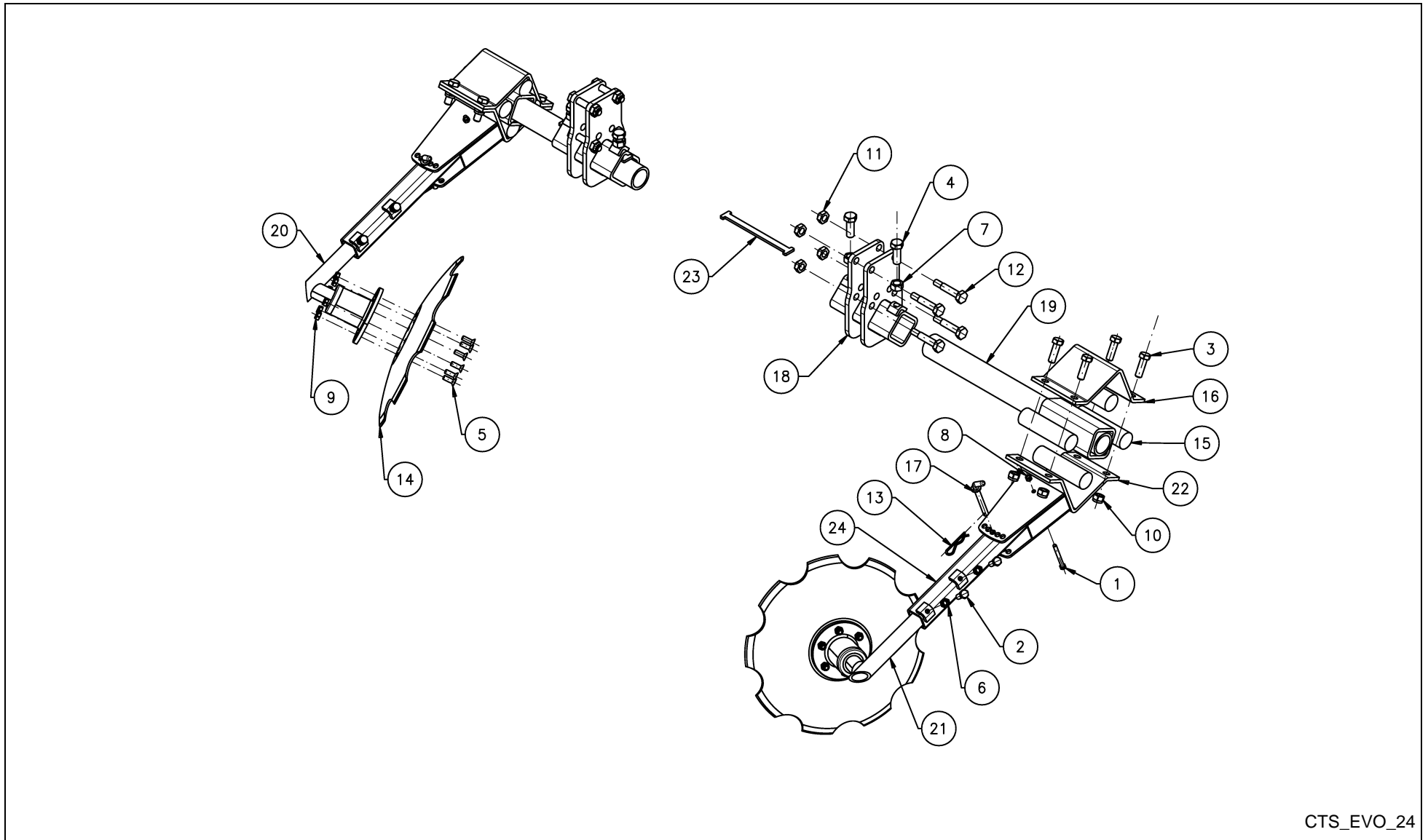


CTS_EVO_23

CTS EVO / LEVELLING TINES



PosNo.	Part No.	Qty.	Description	Remark
1	AC356127		REINFORCING-RING	
2	AC356559		REINFORCING-RING	
3	KG00358561		HEX. BOLT M12X120 8.8	
4	KG00362161		HEX. BOLT M16X60 8.8	
5	KG00476561		HEX. SCREW M12X30 8.8	
6	KG01067761		LOCK NUT M12 8	
7	KG01067961		LOCK NUT M16 8	
8	KG01195400		TENSION PIN 12X40	
9	KG01267561		WASHER M12	
10	KK010315		BOLT W/ HEAD D25.3X60	
11	KK361120		TURNBUCKLE 390-520	
12	RF03785		BLACK PLASTIC PLUG FOR	
13	RF04030		U-BOLT DIAM.16 90X90	
14	RF14642		U-BOLT DIAM.16 80X80	
15	RF26353		SETTING BAR FORK WELDED	
16	RF2641394		FIXING BRACKET	
17	RF26517		LOCKING TRANSFER THRUST WELDED	
18	RF2972800		TURNBUCKLE RULE 65 MM	
19	RF2982897		LEFT LEVELLING TINE 60X10	
20	RF2982997		RIGHT LEVELLING TINE 60X10	
21	RF2983097		CLAMP FOR TINE 60X10	
22	RF3022294		SETTING BRACKET	
23	RF3022594		BEARING BLANK	
24	RF3024894		SQUARE TUBE 80X80X6 LENGHT 2100	
24	RF3025294		SQUARE TUBE 80X80X6 LENGHT 1600	
24	RF3025094		SQUARE TUBE 80X80X6 LENGHT 2250	

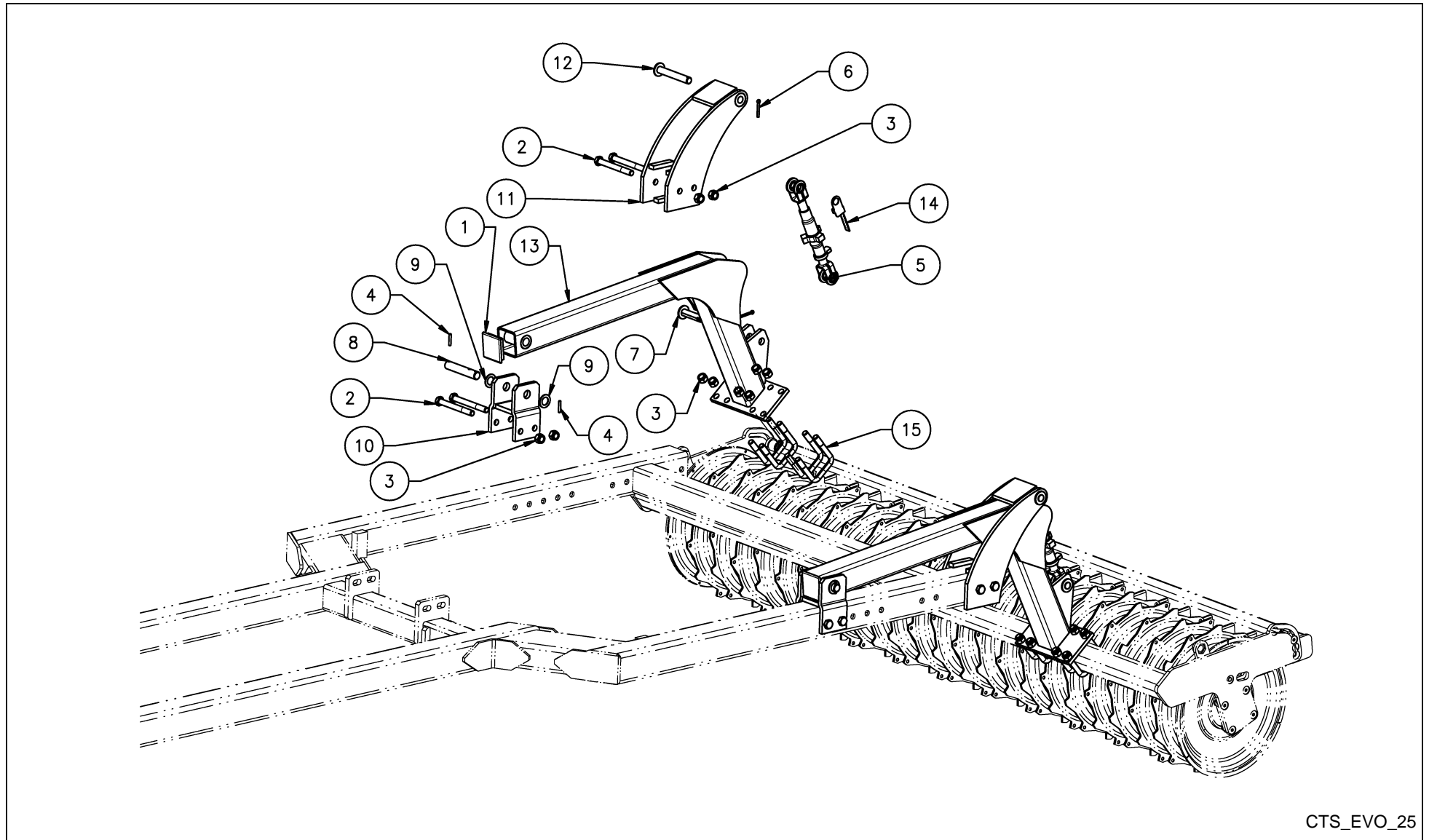


CTS_EVO_24

CTS EVO / DEFLECTOR DISC



PosNo.	Part No.	Qty.	Description	Remark
1	KG00354061		HEX. BOLT M8X80 8.8	
2	KG00476761		HEX. SCREW M12X40 8.8	
3	KG00480461		HEX. SCREW M16X50 8.8	
4	KG00482561		HEX. SCREW M18X50 8.8	
5	KG00849261		COUNTERSUNK HEAD SCREW M10X30 10.9	
6	KG01052161		HEX. NUT M12 8	
7	KG01052400		HEX. NUT M18 8	
8	KG01067561		LOCK NUT M8 8	
9	KG01067661		LOCK NUT M10 8	
10	KG01067961		LOCK NUT M16 8	
11	KK016025		LOCK NUT M16	
12	KK032785		HEX BOLT M16X85 10.9	
13	RF00028		HAIR PIN DIA. 3.9 MM	
14	RF2408194		RED NOTCHED DISC DIA 450	
15	RF26346		RUBBER SPRING	
16	RF26408		CTC DISC HOLDER PLATE PAINTED	
17	RF27374		FINGER HARROW PIN WELDED	
18	RF2925694		DISC FIXING	
19	RF2926494		SLIDING DISC BRACKET	
20	RF2938994		RIGHT DISC DEFLECTOR ARM	
21	RF2939394		LEFT DISC DEFLECTOR ARM	
22	RF2939694		FLANGE WITH CLEVIS PLATES	
23	RF2944094		FLANGING PLATE	
24	RF2960094		DISC ADJUSTMENT TUBE WELDED	

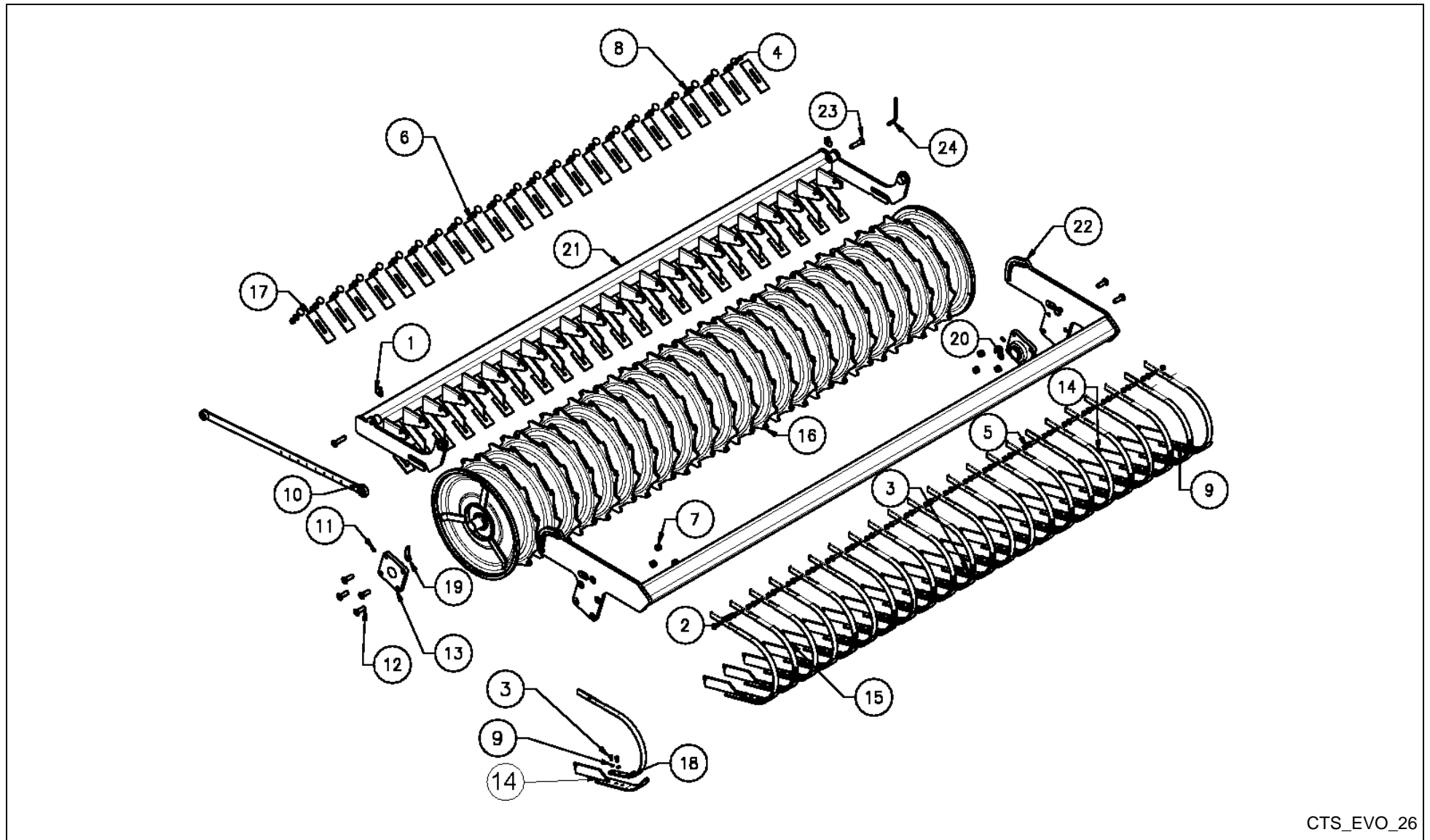


CTS_EVO_25

CTS EVO / ROLLER ARM



PosNo.	Part No.	Qty.	Description	Remark
1	AC688220		SQUARE PLUG Q 100X100X6	
2	KG00341761		HEX. BOLT M20X180 10.9	
3	KG01068161		LOCK NUT M20 8	
4	KG01191962		TENSION PIN 8X45	
5	KK361120		TURNBUCKLE 390-520	
6	RF00027		COTTER PIN 7X60 TOTAL ZN	
7	RF06317		PIN ZN	
8	RF17712		PIN DIA 30 LG 168	
9	RF22033		YELLOW ZINCED WASHER DIA 30.5X50X2	
10	RF24124		PIVOT FORK FOR ROLLER ARM	
11	RF24163		CTS UPPER LINK FORK	
12	RF24557		CTS CRACKER ROLLER AXLE	
13	RF25195		CTS STANDARD ROLLER ARM	
14	RF2972800		TURNBUCKLE RULE 65 MM	
15	RG00049729		ZINCED YOKE SCREW M20-8.8	



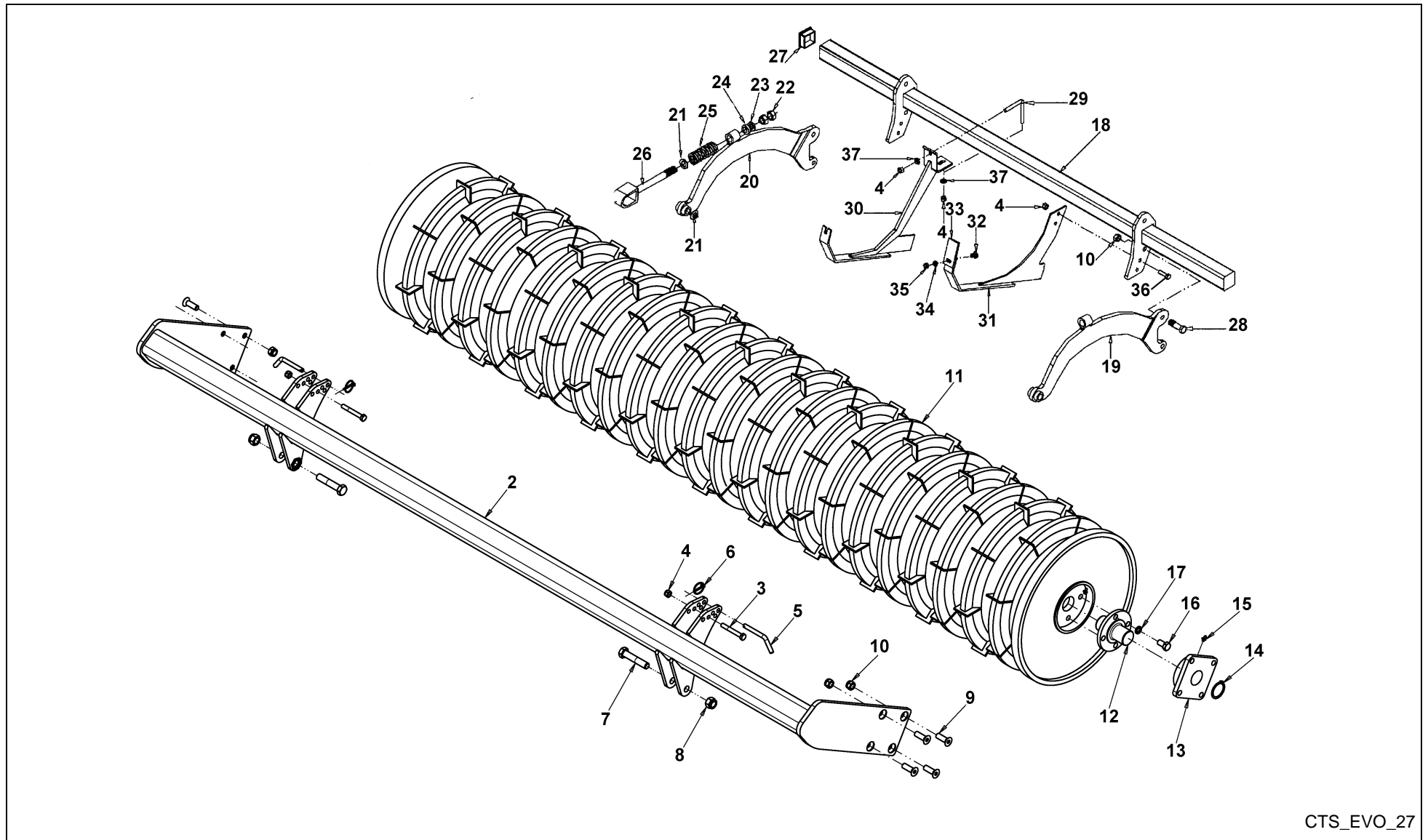
CTS_EVO_26

CTS EVO / ACTIPACK ROLLER



PosNo.	Part No.	Qty.	Description	Remark
1	AC656452		SAFETY CLIP D 4.7	
2	KG00456561		HEX. SCREW M10X30 10.9	
3	KG00471761		HEX. SCREW M8X16 8.8	
4	KG00644861		CARRIAGE BOLT M12X30 8.8	
5	KG01067661		LOCK NUT M10 8	
6	KG01067761		LOCK NUT M12 8	
7	KG01067961		LOCK NUT M16 8	
8	KG01267561		WASHER M12	
9	KG01277561		SPRING WASHER M8	
10	KK010650		UNIVERSAL SPANNER NV 27-36	
11	RF00895		GREASE NIPPLE M8X125	
12	RF23601		COUNTERSUNK HEAD SCREW M20X80 10.9	
13	RF23769		BEARING UCF 210	
14	RF2600994		KNIFE ACTIPACK WELDED	
15	RF26080		SPRING ACTIPACK COMPLETE	
16	RF2637088		ROTOR ACTIPACK 2M50 KV	
16	RF2637188		ROTOR ACTIPACK 3M00 KV	
17	RF26466		SCRAPPER CRACKER	
18	RF26491		SPRING CRACKER 25X8 PAINT	
19	RF27158		RIGHT NIPPLE PROTECTION PAINTED	
20	RF27159		LEFT NIPPLE PROTECTION PAINTED	
21	RF28350		ACTIPACK BEAM SCRAPPER 2M50 WELDED	
21	RF28351		ACTIPACK BEAM SCRAPPER 3M00 WELDED	
22	RF28357		ACTIPACK BEAM PRINCIPAL 2.50 M WELDED	
22	RF28358		ACTIPACK BEAM PRINCIPAL 3.00 M WELDED	
23	RF28445		FIXING SCREW	
24	RF28481		KEY 10 MM ZINCED	

CTS EVO / CRACKER ROLLER

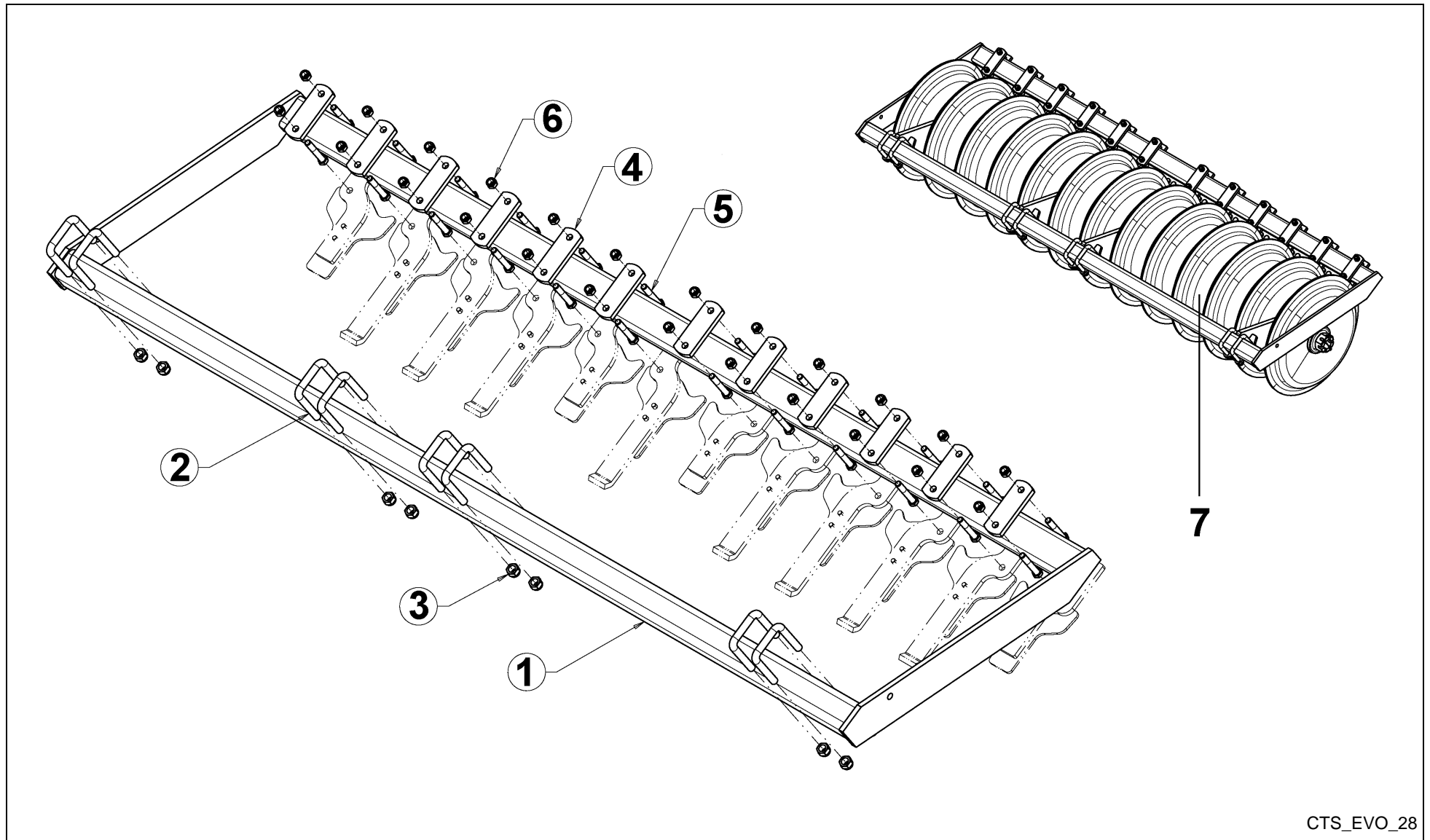


CTS_EVO_27

CTS EVO / CRACKER ROLLER



PosNo.	Part No.	Qty.	Description	Remark
2	RF26281		FRAME OF CRACKER ROLLER 2.50 M	
2	RF26282		FRAME OF CRACKER ROLLER 3.00 M	
3	KG00358261		HEX. BOLT M12X90 8.8	
4	KG01067761		LOCK NUT M12 8	
5	MA8000082		PERNO	
6	MA8000083		SPINA A SCATTO D.4,5	
7	KG00367100		HEX. BOLT M20X100 8.8	
8	KG01068161		LOCK NUT M20 8	
9	RF23601		COUNTERSUNK HEAD SCREW M20X80 10.9	
10	KG01067961		LOCK NUT M16 8	
11	RF25729		REINFORCED DISC ROLLER 2.50 M	
11	RF25731		REINFORCED DISC ROLLER 3.00 M	
12	MA8000067		PERNO FLANGIATO RULLO DISCHI	
13	MA8000068		SUPPORTO RULLO DISCHI	
14	KG01105000		CIRCLIP-A 50 X 2	
15	MA0001342		INGRASSATORE M6X1X45 GRADI	
16	KG00480000		HEX. SCREW M16X30 8.8	
17	KG01277961		SPRING WASHER M16	
18	RF25799		SKID SUPPORT BEAM 2.50 M	
18	RF25801		SKID SUPPORT BEAM 3.00 M	
19	RF26291		CRACKER ROLLER RIGHT ARM	
20	RF26292		CRACKER ROLLER LEFT ARM	
21	KG01267961		WASHER M20	
22	KG01052561		HEX. NUT M20 8	
23	MA8000071		BOCCOLA 36X21X5 ZN	
24	MA8000072		BOCCOLA 36X21X10 ZN	
25	MA8000073		SPRING 8X34X130	
26	MA8000074		STELO	
27	MA8000075		PLUG	
28	KG00480461		HEX. SCREW M16X50 8.8	
29	KW280805		L-BOLT M12X90X90	
30	KW280801		BOLDED SCRAPER FOR KERNERROLLER	
31	RF25794		RIGHT BOLTED SKID	
31	RF25795		LEFT BOLTED SKID	
32	KG00667061		CARRIAGE BOLT M10X30 4.6	
33	MA8000077		PLASTIC SCRAPERS	
34	MA0000399		LARGE WASHER DIN 9021 10.5	
35	KG01067661		LOCK NUT M10 8	
36	KG00476661		HEX. SCREW M12X35 8.8	
37	AC646442		WASHER A 13 GALVAN.	

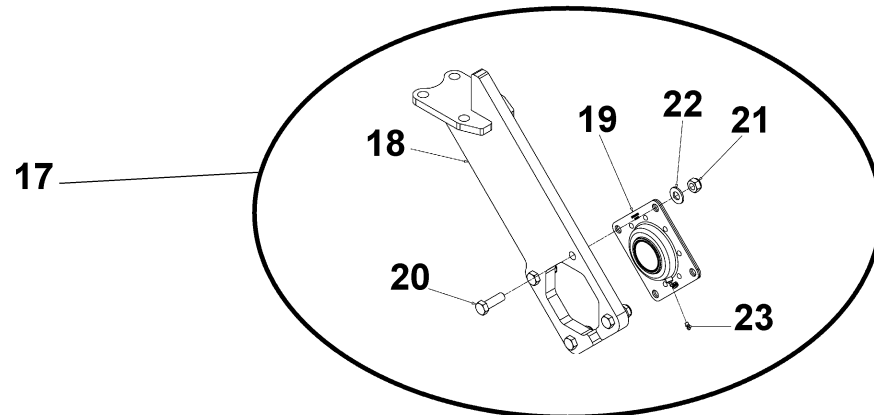
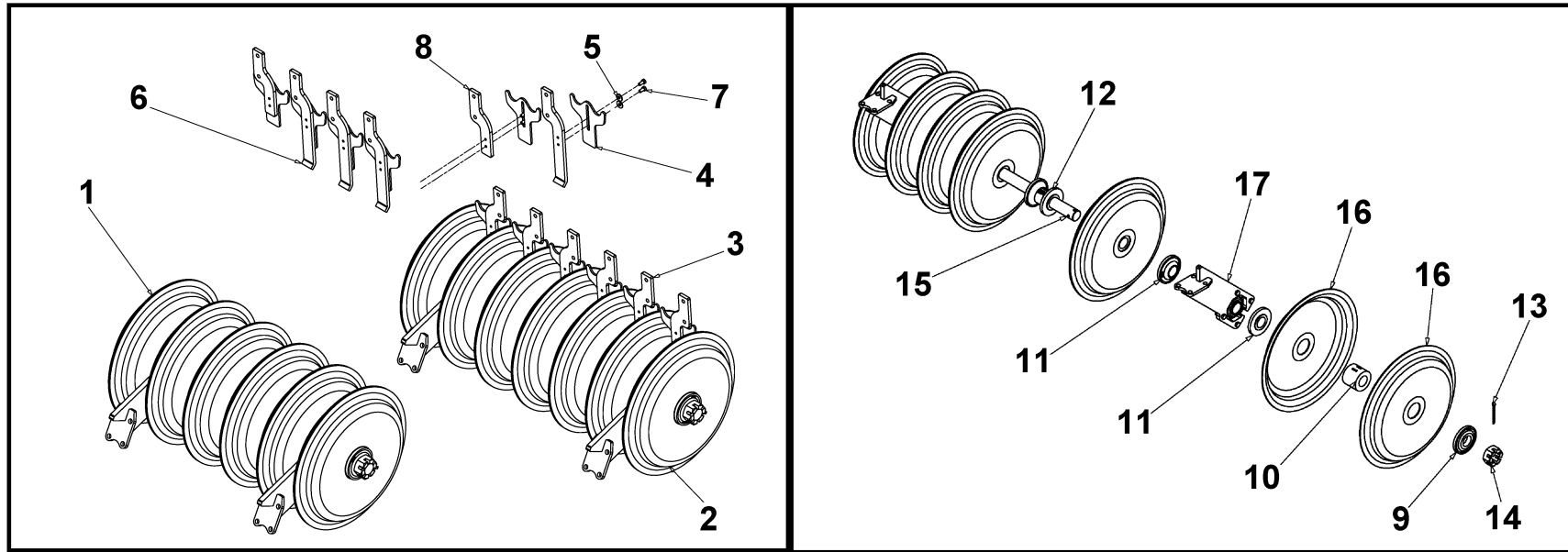


CTS_EVO_28

CTS EVO / DD PRESS ROLLER EQUIPMENT



PosNo.	Part No.	Qty.	Description	Remark
1	RF26926		ROLLER PRESS BEAM LENGTH 3.00 M	CTS 3M00
1	RF26927		ROLLER PRESS BEAM LENGTH 2.25 M	CTS 4M50
2	RG00049729		ZINCED YOKE SCREW M20-8.8	
3	KG01068161		LOCK NUT M20 8	
4	RF0006401		PAINTED HOE FLANGE 167	
5	KG00362761		HEX. BOLT M16X100 8.8	
6	KG01067961		LOCK NUT M16 8	
7	RF26964		CTS 3.00 M PRESS ROLLER	
7	RF26965		CTS 4.50 M PRESS ROLLER	

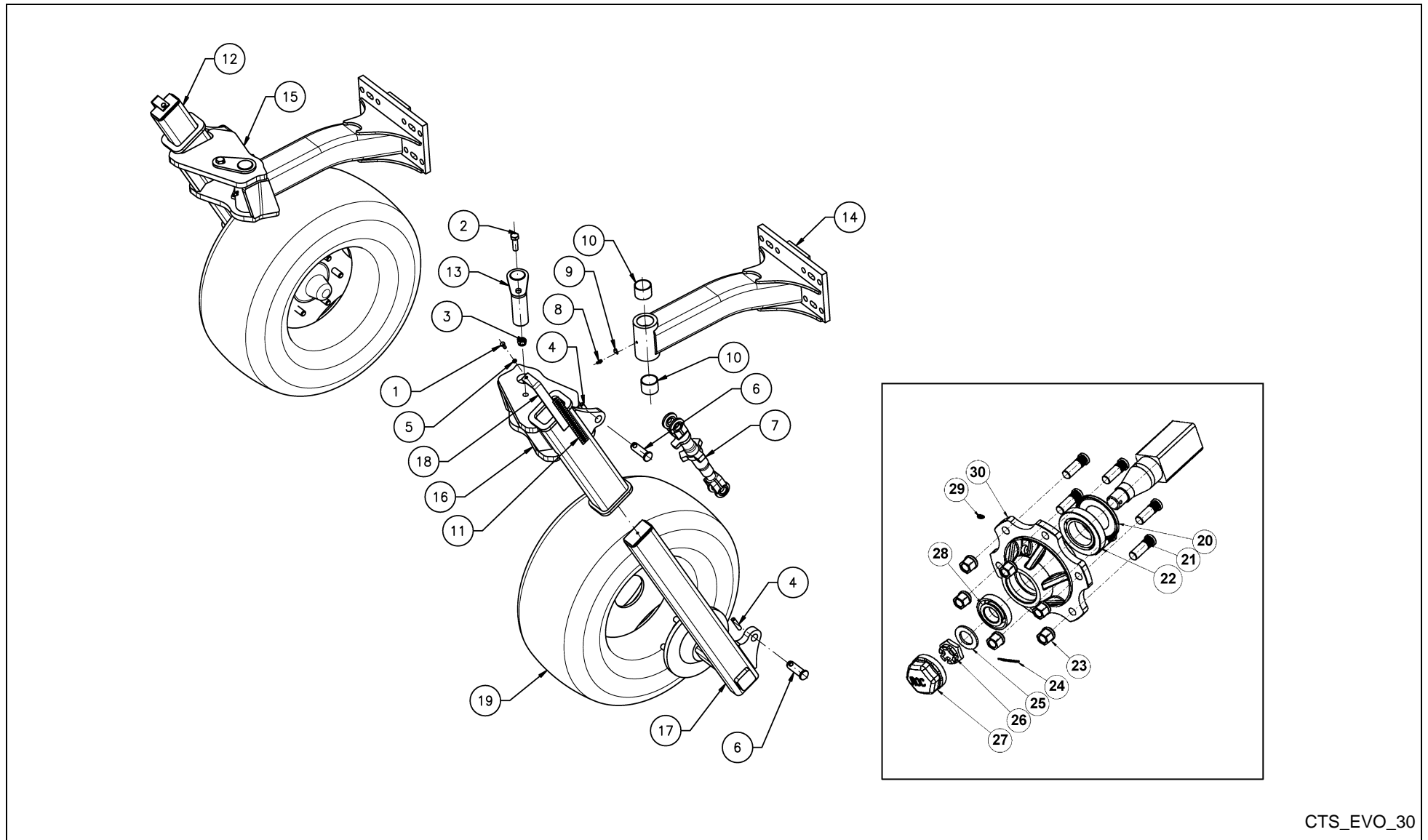


CTS EVO / DD PRESS ROLLER



PosNo.	Part No.	Qty.	Description	Remark
1	RFAS1355		ERREUR	DD PRESS ROLLER 3M00
2	RFAS1356		ERREUR	DD PRESS ROLLER 3M00
1-2	RFAS1357		ERREUR	DD PRESS ROLLER 4M50
3	RFP09559		ERREUR	
4	RFP09558		ERREUR	
5	RFP04179		ERREUR	
6	RFP09560		ERREUR	
7	RFP11032		ERREUR	
8	RFP14853		ERREUR	
9	RFP08190		DD600 - NUT SPOOL	
10	RFP08191		DD600 - INTERNAL SPACER	
11	RFP08189		DD600 - BEARING SPOOL	
12	RFP08188		DD600 - SPOOL	
13	RFP02489		PIN SPLIT DIAM. 10X100	
14	RFP01698		NUT CASTLE M60	
15	RFP07728		AXLE DIAM.60X1369	FOR REF AS1355
15	RFP07729		AXLE DIAM.60X1623	FOR REF AS1356
15	RFP10349		AXLE DIAM.60X2325	FOR REF AS1357
16	RFP08994		DD RING DIAM.700	
17	RFAS2648		PILLAR ASSEMBLY - KV2006	
18	RFP14799		PILLAR - DD700 - KV	
19	RFP05431		BEARING - PRESSED STEEL	
20	RFP01704		BOLT M16X50 GR8.8	
21	RFP02008		NUT LOCK M16	
22	RFP02602		WASHER FLAT M16	
23	RFP12603		NIPPLE GREASE	

CTS EVO / DEPTH CONTROL WHEEL

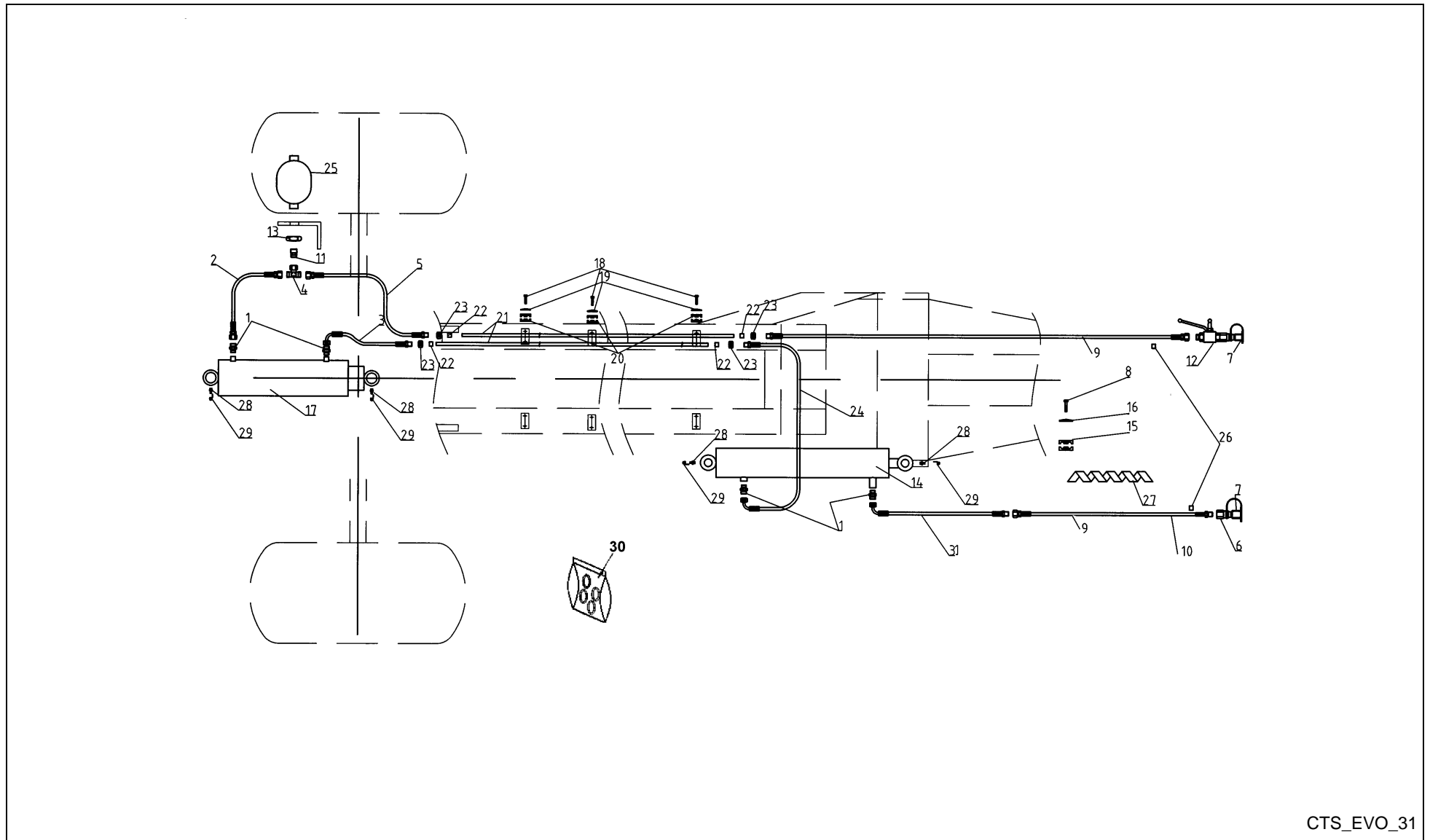


CTS_EVO_30

CTS EVO / DEPTH CONTROL WHEEL



PosNo.	Part No.	Qty.	Description	Remark
1	KG00471961		HEX. SCREW M8X20 8.8	
2	KG00480461		HEX. SCREW M16X50 8.8	
3	KG01067961		LOCK NUT M16 8	
4	KG01195600		TENSION PIN 12X60	
5	KG01277561		SPRING WASHER M8	
6	KK010315		BOLT W/ HEAD D25.3X60	
7	KK361120		TURNBUCKLE 390-520	
8	RF00895		GREASE NIPPLE M8X125	
9	RF02345		GREASE NIPPLE MARKER GPN 985	
10	RF20523		RING PERMAGLIDE PAP 5040 P 20	
11	RF24250		0-250 MM GRADUATE STICKER	
12	RF2427894		RIGHT WHEEL ARM	
13	RF24339		CTS WHEEL PIN	
14	RF2434594		CONTROL WHEEL BRACKET	
15	RF2435394		RIGHT CONTROL WHEEL SHACKLE	
16	RF2435494		LEFT CONTROL WHEEL SHACKLE	
17	RF2435594		LEFT WHEEL ARM	
18	RF25210		SETTING BLADE	
19	RF26250		COMPLETE WHEEL 340/55-16 137 A8	
20	RF25525		WASHER 55 X 99 X 1.2	
21	RF25524		GUDGEON M18 X 150 LG 40/54 MM	
22	KG01802500		TAPER ROLLER BEARING 30211	
23	RF17179		NUT M18 X 150	
24	RF25523		CASTLE NUT 30 PITCH 200 H 18	
25	KG01268361		WASHER M30	
26	RF25523		CASTLE NUT 30 PITCH 200 H 18	
27	RF25522		END CAP M73.5 X 1.5	
28	KG01799100		TAPER ROLLER BEARING 30207	
29	RF00166		GREASE NIPPLE M6X100	
30	RF25526		HUB 6 HOLES + NUTS AND SCREWS	

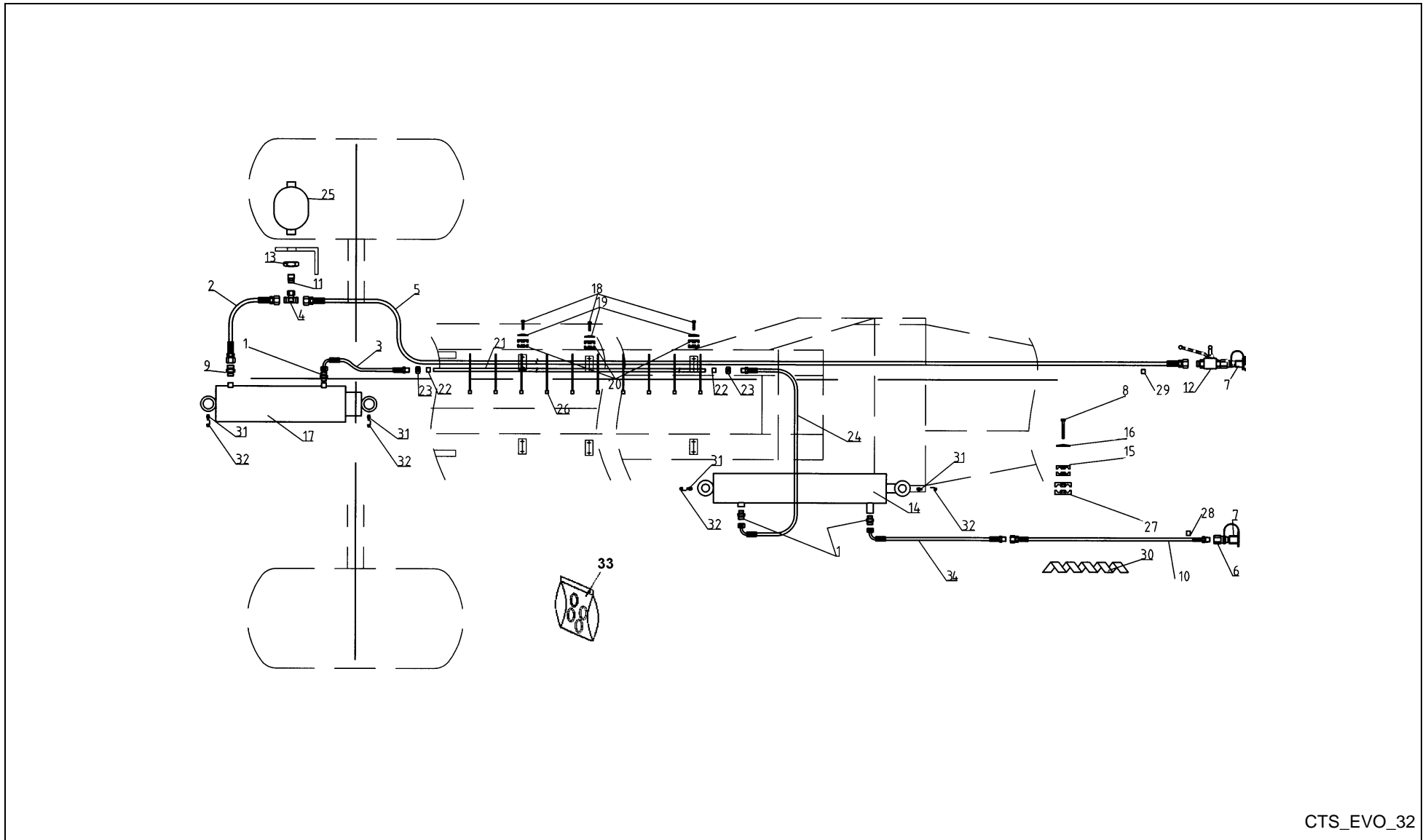


CTS_EVO_31

CTS EVO / HYDRAULIC - LIFTING CTS 3M



PosNo.	Part No.	Qty.	Description	Remark
1	RF25220		HYDRAULIC COUPLER	
2	RF25243		HOSE 2SC DN8 LG 500 ETC12L/ETC12L	
3	RF25221		HOSE 2SC DN8 LG 1000 EM12L/ETC12L90°	
4	RF25244		T HYDRAULIC COUPLER	
5	RF25245		HOSE 2SC DN8 LG 500 EM12L/ETC12L	
6	RF29043		PUSH PULL COUPLER TYP CCM1/2-UM12L	
7	RF02772		CAP FOR PUSH PULL	
8	KG00353261		HEX. BOLT M8X40 8.8	
9	RF25246		HOSE 2SC DN8 LG 5000 EM12L/ETC12L	
10	RF25246		HOSE 2SC DN8 LG 5000 EM12L/ETC12L	
11	RF25247		HYDRAULIC COUPLER	
12	RF25248		HYD. LOCKING VALVE 2 WAYS	
13	RF24210		NUT M33X1.5 FOR ACCUMULATOR	
14	RF24604		CYLINDER 100X50 C323 PAINTED	
15	RF14799		HOSE CLIP	
16	RF14800		BLADE FOR HOSE CLIP	
17	RF24605		CYLINDER 125X80 C350 PAINTED	
18	KG00353861		HEX. BOLT M8X70 8.8	
19	RF24280		BLADE FOR HOSE CLIP	
20	RF24279		HOSE CLIP	
21	RF24295		HYDRAULIC PIPE 8/12 LG 3725	
22	RG00083139		SEAL	
23	RG00083140		REDUCER NUT	
24	RF25229		HOSE 2SC DN8 LG 1500 EM12L/ETC12L90°	
25	RF24601		ACCUMULATOR 0.75 L (PO=100 BARS) PAINTED	
26	AC351802RED		HYDRAULIC TUBE CLIP 11.5 - 16 RED	
27	RFGAIN024		SPIRAL FLEXIBLE SHEATH 16X1 INT. 13	
28	RF00895		GREASE NIPPLE M8X125	
29	RF02345		GREASE NIPPLE MARKER GPN 985	
30	RF25514		125/80 C350 CYLINDER SEAL KIT (RF24113)	
30	RF25515		100/50 C323 CYLINDER SEAL KIT (RF24112)	
31	RF25307		HOSE 2SC DN8 LG1000 ETC12L/ETC12L90°	

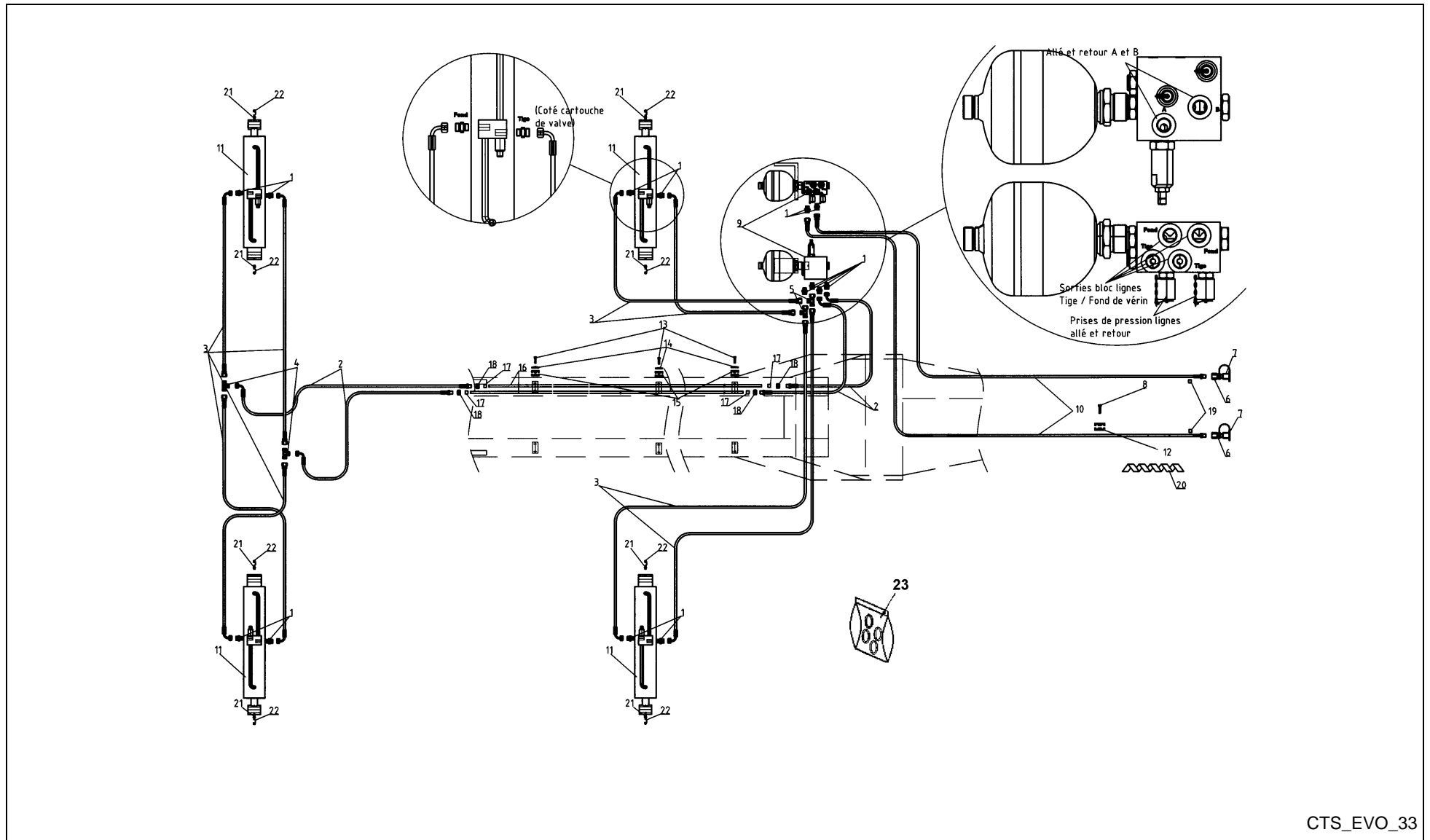


CTS_EVO_32

CTS EVO / HYDRAULIC - LIFTING CTS 4,5M/6M



PosNo.	Part No.	Qty.	Description	Remark
1	RF25220		HYDRAULIC COUPLER	
2	RF25222		HOSE 2SC/12 LG 230 ETC15L/ETC15L	
3	RF25221		HOSE 2SC DN8 LG 1000 EM12L/ETC12L90°	
4	RF25224		T HYDRAULIC COUPLER	
5	RF25223		HOSE 2SC/12 LG 9000 ETC15L/ETC15L	
6	RF29043		PUSH PULL COUPLER TYP CCM1/2-UM12L	
7	RF02772		CAP FOR PUSH PULL	
8	KG00353961		HEX. BOLT M8X75 8.8	
9	RF25225		HYDRAULIC COUPLER	
10	RF25246		HOSE 2SC DN8 LG 5000 EM12L/ETC12L	
11	RF25227		HYDRAULIC COUPLER	
12	RF25228		HYD. LOCKING VALVE 2 WAYS	
13	RF24210		NUT M33X1.5 FOR ACCUMULATOR	
14	RF24604		CYLINDER 100X50 C323 PAINTED	
15	RF14799		HOSE CLIP	
16	RF14800		BLADE FOR HOSE CLIP	
17	RF24605		CYLINDER 125X80 C350 PAINTED	
18	KG00353861		HEX. BOLT M8X70 8.8	
19	RF24280		BLADE FOR HOSE CLIP	
20	RF24279		HOSE CLIP	
21	RF24295		HYDRAULIC PIPE 8/12 LG 3725	
22	RG00083139		SEAL	
23	RG00083140		REDUCER NUT	
24	RF25229		HOSE 2SC DN8 LG 1500 EM12L/ETC12L90°	
25	RF24601		ACCUMULATOR 0.75 L (PO=100 BARS) PAINTED	
26	RF00250		CLAMP 319X16	
27	RF29250		HOSE CLIP TWIN Ø20	
28	AC351802RED		HYDRAULIC TUBE CLIP 11.5 - 16 RED	
29	AC351801RED		HYDRAULIC TUBE CLIP 11.5 - 16 RED	
30	RFGAIN024		SPIRAL FLEXIBLE SHEATH 16X1 INT. 13	
31	RF00895		GREASE NIPPLE M8X125	
32	RF02345		GREASE NIPPLE MARKER GPN 985	
33	RF25514		125/80 C350 CYLINDER SEAL KIT (RF24113)	
33	RF25515		100/50 C323 CYLINDER SEAL KIT (RF24112)	
34	RF25307		HOSE 2SC DN8 LG1000 ETC12L/ETC12L90°	

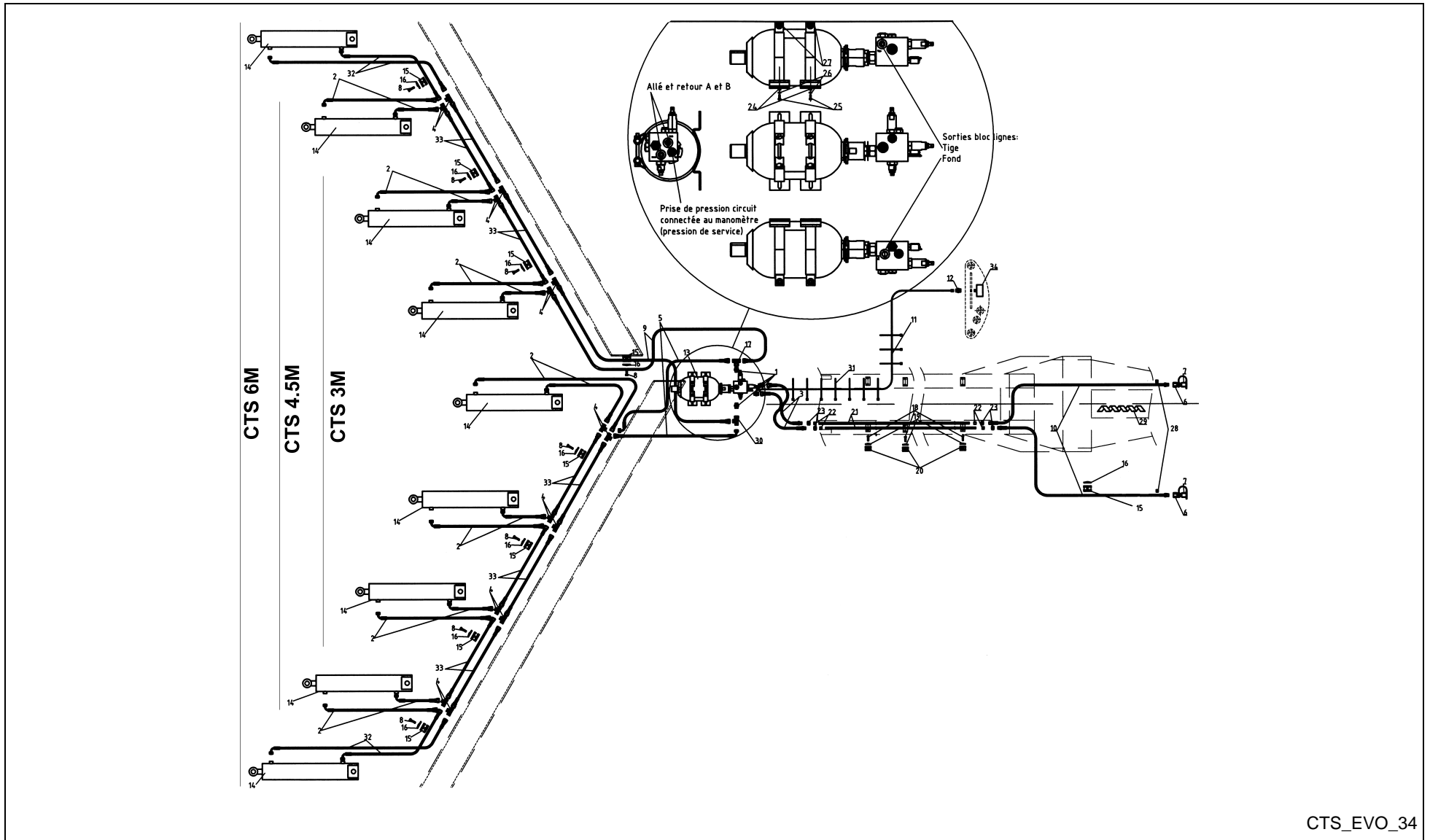


CTS_EVO_33

CTS EVO / HYDRAULIC - FOLDING CTS 4,5M/6M



PosNo.	Part No.	Qty.	Description	Remark
1	RF25220		HYDRAULIC COUPLER	
2	RF25221		HOSE 2SC DN8 LG 1000 EM12L/ETC12L90°	
3	RF25251		HOSE 2SC DN8 LG1500 ETC12L/ETC12L90°	
4	RF25252		T HYDRAULIC COUPLER	
5	RF25253		T HYDRAULIC COUPLER	
6	RF29043		PUSH PULL COUPLER TYP CCM1/2-UM12L	
7	RF02772		CAP FOR PUSH PULL	
8	KG00353861		HEX. BOLT M8X70 8.8	
9	RF25305		FOLDING HYDRAULIC BLOCK	
10	RF29690		HOSE HH2SC08 N00-12L_N90-12L 05000	
11	RF25250		CYLINDER DE 100X35 C450 BALANCING VALVE	
12	RF14799		HOSE CLIP	
13	KG00639461		CARRIAGE BOLT M8X40 8.8	
14	RF24280		BLADE FOR HOSE CLIP	
15	RF24279		HOSE CLIP	
16	RF24295		HYDRAULIC PIPE 8/12 LG 3725	
17	RG00083139		SEAL	
18	RG00083140		REDUCER NUT	
19	AC351802BLUE		HYDRAULIC TUBE CLIP 11.5 - 16.0 BLUE	
20	RFGAIN024		SPIRAL FLEXIBLE SHEATH 16X1 INT. 13	
21	RF00895		GREASE NIPPLE M8X125	
22	RF02345		GREASE NIPPLE MARKER GPN 985	
23	RF25513		100/35 C450 CYLINDER SEAL KIT (RF25249)	

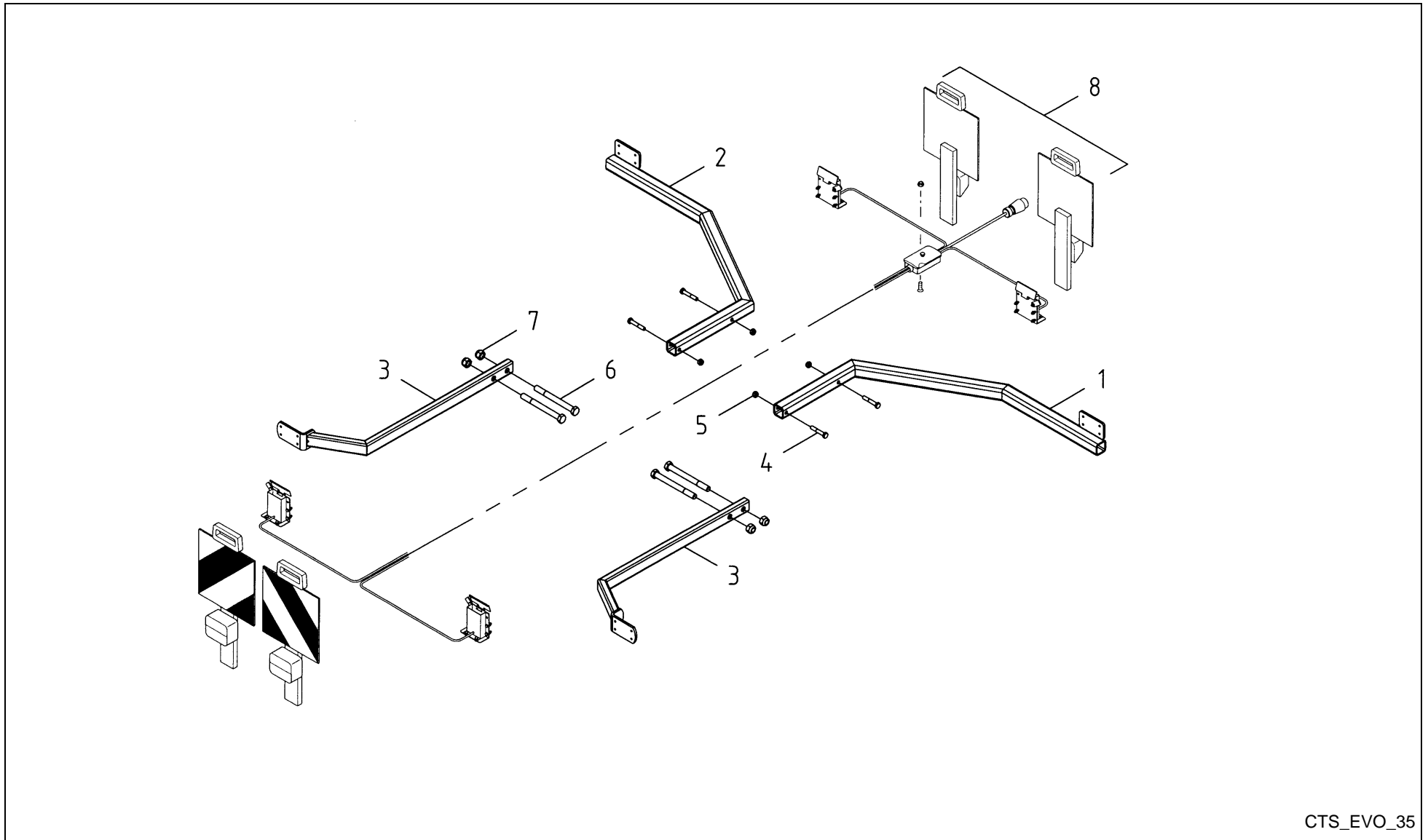


CTS_EVO_34

CTS EVO / HYDRAULIC - SUBSOILING



PosNo.	Part No.	Qty.	Description	Remark
1	RF25220		HYDRAULIC COUPLER	
2	RF25306		HOSE 2SC DN8 LG 500 ETC12L/ETC12L90°	
3	RF25308		HOSE 2SC DN8 LG 1000 EM12L/ETC12L	
4	RF25252		T HYDRAULIC COUPLER	
5	RF25251		HOSE 2SC DN8 LG1500 ETC12L/ETC12L90°	
6	RF29043		PUSH PULL COUPLER TYP CCM1/2-UM12L	
7	RF02772		CAP FOR PUSH PULL	
8	KG00353261		HEX. BOLT M8X40 8.8	
9	RF25309		HOSE 2SC DN8 LG 2500 ETC12L/ETC12L	
10	RF25246		HOSE 2SC DN8 LG 5000 EM12L/ETC12L	
11	RF25311		NON STOP BLOCK CAPILLARY LENGHT 6.5 M	
12	RF25312		PRESSURE GAUGE COUPLER	
13	RF24573		NON STOP BLOCK	
14	RF24757		KV HYD. CYLINDER DE 70X50 C200	
15	RF14799		HOSE CLIP	
16	RF14800		BLADE FOR HOSE CLIP	
17	RF25244		T HYDRAULIC COUPLER	
18	KG00639461		CARRIAGE BOLT M8X40 8.8	
19	RF24280		BLADE FOR HOSE CLIP	
20	RF24279		HOSE CLIP	
21	RF24295		HYDRAULIC PIPE 8/12 LG 3725	
22	RG00083139		SEAL	
23	RG00083140		REDUCER NUT	
24	KG01267361		WASHER M8	
25	KG00471761		HEX. SCREW M8X16 8.8	
26	KG01277561		SPRING WASHER M8	
27	RF24574		CLIP	
28	AC351802GREEN		HYDRAULIC TUBE CLIP 11.5 - 16 GREEN	
29	RFGAINE024		SPIRAL FLEXIBLE SHEATH 16X1 INT. 13	
30	RF25253		T HYDRAULIC COUPLER	
31	RF00250		CLAMP 319X16	
32	RF25307		HOSE 2SC DN8 LG1000 ETC12L/ETC12L90°	
33	RF25329		HOSE 2SC DN8 LG 1000 ETC12L/ETC12L	
34	RF25313		PRESSURE GAUGE 0-250 BARS	
35	RF25512		70/50 C200 CYLINDER SEAL KIT (RF24756)	

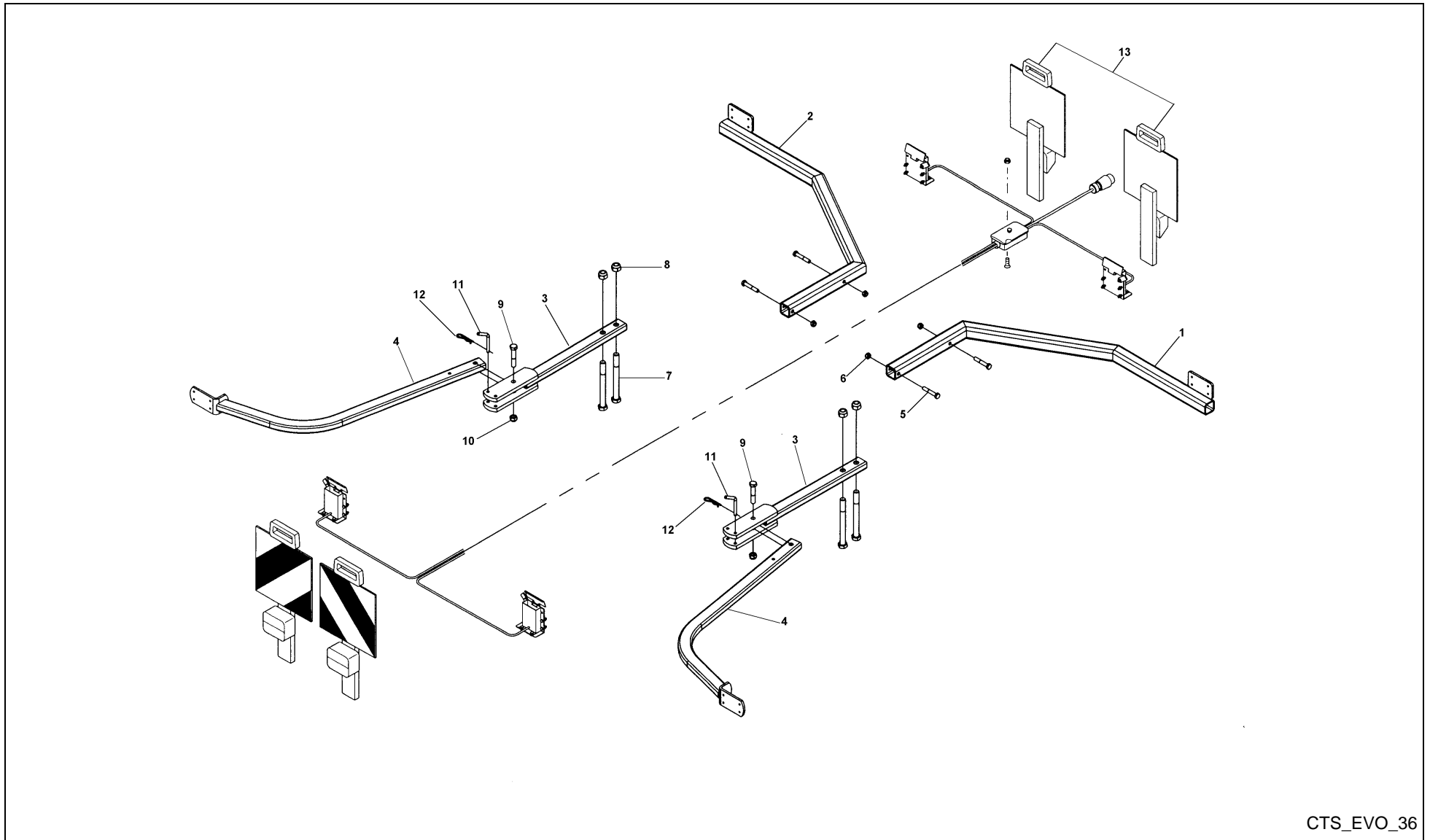


CTS_EVO_35

CTS EVO / LIGHTING KIT CTS 3M



PosNo.	Part No.	Qty.	Description	Remark
1	RF24503		CTS RIGHT FRONT LIGHT HOLDER	
2	RF24504		CTS LEFT LIGHT HOLDER	
3	RF25264		REAR CTS 3.00 M LIGHT HOLDER	
4	KG00357961		HEX. BOLT M12X70 8.8	
5	KG01067761		LOCK NUT M12 8	
6	KG00367961		HEX. BOLT M20X200 8.8	
7	KG01068161		LOCK NUT M20 8	
8	RF23902		COMPLETE LIGHT EQUIPMENT	

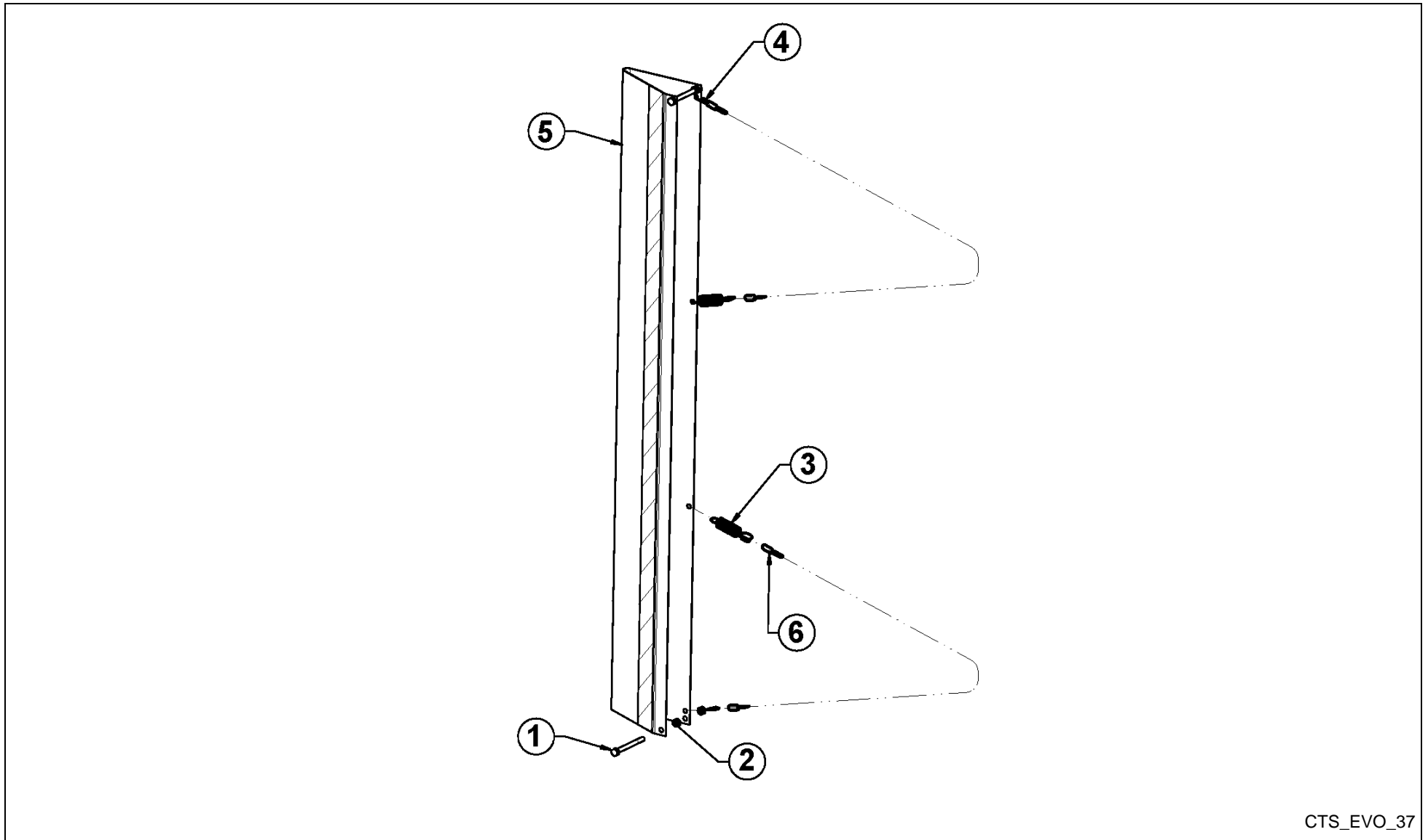


CTS_EVO_36

CTS EVO / LIGHTING KIT CTS 4,5M/6M



PosNo.	Part No.	Qty.	Description	Remark
1	RF24503		CTS RIGHT FRONT LIGHT HOLDER	
2	RF24504		CTS LEFT LIGHT HOLDER	
3	RF25257		REAR FIX FOLDABLE CTS LIGHT HOLDER	
4	RF25261		REAR MOBIL FOLDABLE CTS LIGHT HOLDER	
5	KG00357961		HEX. BOLT M12X70 8.8	
6	KG01067761		LOCK NUT M12 8	
7	KG00367961		HEX. BOLT M20X200 8.8	
8	KG01068161		LOCK NUT M20 8	
9	KG00362561		HEX. BOLT M16X80 8.8	
10	KG01067961		LOCK NUT M16 8	
11	RF01867		PIN LG 135 MM	
12	RF00028		HAIR PIN DIA. 3.9 MM	
13	RF23902		COMPLETE LIGHT EQUIPMENT	



CTS_EVO_37

CTS EVO / PROTECTION BARS



PosNo.	Part No.	Qty.	Description	Remark
1	KG00354161		HEX. BOLT M8X90 8.8	
2	KG01051961		HEX. NUT M8 8	
3	RF02483		SKIM COULTER SPRING FARMFLEX	
4	RF22402		LINK DIA 2	
5	RF24324		CTS TINE PROTECT SHEET	
6	RF24619		CHAIN LENGHT 500 MM	

CTS EVO / Part No Index



Part No.	Page	Pos No	Part No.	Page	Pos No	Part No.	Page	Pos No	Part No.	Page	Pos No
AC271800	15	1	AC646442	27	37	KG00362161	7	1	KG00480261	14	1
AC271800	16	1	AC656452	26	1	KG00362161	9	1	KG00480461	10	1
AC351801RED	32	29	AC671260	18	6	KG00362161	22	16	KG00480461	17	4
AC351802BLUE	33	19	AC671260	20	9	KG00362161	23	4	KG00480461	19	5
AC351802GREEN	34	28	AC671260	21	9	KG00362561	13	12	KG00480461	24	3
AC351802RED	31	26	AC674404	18	7	KG00362561	36	9	KG00480461	27	28
AC351802RED	32	28	AC674404	20	10	KG00362761	28	5	KG00480461	30	2
AC353118	19	1	AC674404	21	10	KG00365561	22	1	KG00482561	24	4
AC353126	20	1	AC674463	18	8	KG00366661	1	1	KG00486361	9	3
AC353127	21	1	AC674463	20	11	KG00366661	4	6	KG00486361	10	2
AC353215	21	7	AC674463	21	11	KG00366661	5	3	KG00639461	33	13
AC353216	20	7	AC682981	18	9	KG00366661	11	8	KG00639461	34	18
AC353361	18	5	AC682981	20	12	KG00366661	13	4	KG00644861	26	4
AC353361	20	8	AC682981	21	12	KG00367100	27	7	KG00667061	27	32
AC353361	21	8	AC688220	11	10	KG00367961	2	2	KG00849261	24	5
AC353362	18	1	AC688220	25	1	KG00367961	35	6	KG01050561	15	2
AC353362	20	2	AC688221	17	3	KG00367961	36	7	KG01050561	15	52
AC353362	21	2	AC688221	19	4	KG00371661	8	1	KG01050561	16	20
AC353521	17	1	KG00341761	25	2	KG00371661	13	17	KG01051961	37	2
AC353521	19	2	KG00353261	31	8	KG00371761	9	2	KG01052161	24	6
AC353951	20	3	KG00353261	34	8	KG00456561	26	2	KG01052400	24	7
AC353951	21	3	KG00353861	31	18	KG00471761	7	2	KG01052561	27	22
AC353962	17	2	KG00353861	32	18	KG00471761	20	5	KG01067561	7	4
AC353962	19	3	KG00353861	33	8	KG00471761	21	5	KG01067561	20	6
AC356127	22	14	KG00353961	32	8	KG00471761	26	3	KG01067561	21	6
AC356127	23	1	KG00354061	24	1	KG00471761	34	25	KG01067561	24	8
AC356559	22	15	KG00354161	37	1	KG00471961	30	1	KG01067661	2	3
AC356559	23	2	KG00355761	2	1	KG00472261	7	3	KG01067661	24	9
AC357968	10	6	KG00357861	16	2	KG00476561	22	17	KG01067661	26	5
AC357969	10	6	KG00357961	35	4	KG00476561	23	5	KG01067661	27	35
AC631335	18	2	KG00357961	36	5	KG00476661	27	36	KG01067761	15	50
AC631335	20	4	KG00358261	27	3	KG00476761	24	2	KG01067761	16	3
AC631335	21	4	KG00358561	23	3	KG00480000	27	16	KG01067761	23	6

CTS EVO / Part No Index



Part No.	Page	Pos No	Part No.	Page	Pos No	Part No.	Page	Pos No	Part No.	Page	Pos No
KG01067761	26	6	KG01068361	9	4	KG01277561	30	5	KK016025	15	11
KG01067761	27	4	KG01068361	13	15	KG01277561	34	26	KK016025	16	8
KG01067761	35	5	KG01068561	1	4	KG01277961	7	6	KK016025	24	11
KG01067761	36	6	KG01068561	4	5	KG01277961	9	5	KK029727	15	12
KG01067961	10	3	KG01068561	11	7	KG01277961	27	17	KK032640	15	13
KG01067961	13	9	KG01068561	12	7	KG01503400	10	5	KK032655	15	14
KG01067961	14	2	KG01105000	27	14	KG01799100	30	28	KK032735	16	9
KG01067961	17	5	KG01109300	18	10	KG01802500	30	22	KK032745	15	15
KG01067961	19	6	KG01109300	20	13	KG01802600	6	17	KK032770	15	16
KG01067961	22	18	KG01109300	21	13	KG01807500	6	22	KK032785	15	17
KG01067961	23	7	KG01189862	8	3	KK010170	15	3	KK032785	16	10
KG01067961	24	10	KG01191962	2	5	KK010170	16	4	KK032785	24	12
KG01067961	26	7	KG01191962	7	5	KK010170	22	4	KK032795	15	18
KG01067961	27	10	KG01191962	13	10	KK010315	22	5	KK032795	16	11
KG01067961	28	6	KG01191962	13	16	KK010315	23	10	KK032808	15	19
KG01067961	30	3	KG01191962	25	4	KK010315	30	6	KK032808	16	12
KG01067961	36	10	KG01195400	22	3	KK010606	7	7	KK032808	22	8
KG01068061	1	2	KG01195400	23	8	KK010650	7	8	KK035027	15	20
KG01068061	3	4	KG01195600	30	4	KK010650	26	10	KK035033	15	21
KG01068061	22	2	KG01195800	6	1	KK012813	15	4	KK035033	16	23
KG01068161	1	3	KG01195800	10	4	KK012813	16	5	KK057066	15	22
KG01068161	2	4	KG01197762	14	3	KK012813	22	6	KK057067	15	23
KG01068161	4	3	KG01254261	6	14	KK012820	15	5	KK057089	15	24
KG01068161	5	4	KG01267361	34	24	KK013229	15	49	KK057093	15	25
KG01068161	11	5	KG01267561	22	19	KK013229	16	28	KK067042	15	26
KG01068161	12	5	KG01267561	23	9	KK015817	15	6	KK06706388	15	27
KG01068161	13	7	KG01267561	26	8	KK015818	15	7	KK06706488	15	28
KG01068161	25	3	KG01267861	1	5	KK015825	15	8	KK074913	13	14
KG01068161	27	8	KG01267961	1	6	KK015825	16	6	KK077003	15	29
KG01068161	28	3	KG01267961	11	9	KK015830	15	9	KK077011	15	30
KG01068161	35	7	KG01267961	27	21	KK015830	16	7	KK077012R	15	31
KG01068161	36	8	KG01268361	30	25	KK015830	22	7	KK083050	14	4
KG01068361	8	2	KG01277561	26	9	KK016007	15	10	KK083071	15	32

CTS EVO / Part No Index



Part No.	Page	Pos No	Part No.	Page	Pos No	Part No.	Page	Pos No	Part No.	Page	Pos No
KK083071	16	25	KW250815	18	3	RF00895	30	8	RF14800	32	16
KK089680	15	33	KW280801	27	30	RF00895	31	28	RF14800	34	16
KK109050	15	48	KW280805	27	29	RF00895	32	31	RF15188	15	45
KK109050	16	27	MA0000399	27	34	RF00895	33	21	RF15188	16	21
KK109051	15	51	MA0001342	27	15	RF01867	36	11	RF1574302	15	46
KK109051	16	29	MA8000067	27	12	RF01991	15	44	RF1574302	16	22
KK109052	15	48	MA8000068	27	13	RF01991	17	6	RF17179	30	23
KK109052	16	27	MA8000071	27	23	RF01991	19	7	RF17441	6	4
KK109053	15	51	MA8000072	27	24	RF02345	2	7	RF17711	13	8
KK109053	16	29	MA8000073	27	25	RF02345	6	3	RF17712	7	12
KK131122	15	47	MA8000074	27	26	RF02345	7	11	RF17712	25	8
KK131122	16	26	MA8000075	27	27	RF02345	10	9	RF20523	2	10
KK131123	15	34	MA8000077	27	33	RF02345	30	9	RF20523	10	10
KK131123	16	24	MA8000082	27	5	RF02345	31	29	RF20523	30	10
KK301080	15	35	MA8000083	27	6	RF02345	32	32	RF21648	1	7
KK301080	16	13	RF00027	25	6	RF02345	33	22	RF21648	4	4
KK301216	15	36	RF00028	24	13	RF02483	37	3	RF22033	2	11
KK301256	15	37	RF00028	36	12	RF02772	31	7	RF22033	7	13
KK301256	16	18	RF0006401	28	4	RF02772	32	7	RF22033	13	13
KK301455	16	14	RF00115	8	4	RF02772	33	7	RF22033	25	9
KK30146594	15	38	RF00166	6	19	RF02772	34	7	RF22402	37	4
KK30146594	16	15	RF00166	30	29	RF0304805	2	8	RF23601	26	12
KK301472	15	39	RF00250	32	26	RF03785	23	12	RF23601	27	9
KK301472	16	16	RF00250	34	31	RF04030	23	13	RF23769	26	13
KK301474	16	17	RF00438	7	9	RF06317	25	7	RF23771	10	11
KK30148000	15	40	RF00438	13	5	RF0881563	13	6	RF2384694	6	5
KK303134	15	41	RF00744	15	43	RF1368061	2	9	RF2387894	2	12
KK303172	15	42	RF00744	16	19	RF14642	23	14	RF2388994	7	14
KK361120	22	9	RF00895	2	6	RF14799	31	15	RF2389494	2	13
KK361120	23	11	RF00895	6	2	RF14799	32	15	RF2389594	2	14
KK361120	25	5	RF00895	7	10	RF14799	33	12	RF23897	6	6
KK361120	30	7	RF00895	10	8	RF14799	34	15	RF23898	6	7
KW101500620	10	7	RF00895	26	11	RF14800	31	16	RF23902	35	8

CTS EVO / Part No Index



Part No.	Page	Pos No	Part No.	Page	Pos No	Part No.	Page	Pos No	Part No.	Page	Pos No
RF23902	36	13	RF24279	32	20	RF24604	31	14	RF25222	32	2
RF2391294	2	15	RF24279	33	15	RF24604	32	14	RF25223	32	5
RF23913	2	16	RF24279	34	20	RF24605	31	17	RF25224	32	4
RF23915	2	17	RF24280	31	19	RF24605	32	17	RF25225	32	9
RF23915	6	8	RF24280	32	19	RF24619	37	6	RF25227	32	11
RF2408194	24	14	RF24280	33	14	RF24656	1	10	RF25228	32	12
RF2410994	4	1	RF24280	34	19	RF24656	3	1	RF25229	31	24
RF24110	11	2	RF24292	9	6	RF24674	1	11	RF25229	32	24
RF24110	12	2	RF24295	31	21	RF24674	3	2	RF25243	31	2
RF24111	11	4	RF24295	32	21	RF24757	13	18	RF25244	31	4
RF24111	12	4	RF24295	33	16	RF24757	34	14	RF25244	34	17
RF24124	25	10	RF24295	34	21	RF25060	10	12	RF25245	31	5
RF24126	2	18	RF2431994	1	8	RF2506194	1	12	RF25246	31	10
RF2413694	12	6	RF2431994	11	1	RF2510294	4	2	RF25246	31	9
RF2414094	12	6	RF2432094	1	9	RF2510694	4	2	RF25246	32	10
RF24142	11	3	RF24324	37	5	RF2514694	2	23	RF25246	34	10
RF24142	12	1	RF2433694	11	6	RF2514994	2	24	RF25247	31	11
RF2414394	4	1	RF24339	30	13	RF2515494	7	15	RF25248	31	12
RF24163	25	11	RF2434594	30	14	RF25184	13	11	RF25250	2	25
RF2416894	6	9	RF2435394	30	15	RF25187	13	2	RF25250	33	11
RF2416994	2	19	RF2435494	30	16	RF25188	13	1	RF25251	33	3
RF24170	2	20	RF2435594	30	17	RF25195	25	13	RF25251	34	5
RF24171	6	10	RF2446194	2	22	RF2520463	13	3	RF25252	33	4
RF24172	6	11	RF2446794	14	8	RF2520863	8	5	RF25252	34	4
RF2417361	2	21	RF24503	35	1	RF25209X0	7	16	RF25253	33	5
RF24210	31	13	RF24503	36	1	RF25210	30	18	RF25253	34	30
RF24210	32	13	RF24504	35	2	RF25220	31	1	RF25257	36	3
RF24250	30	11	RF24504	36	2	RF25220	32	1	RF25261	36	4
RF24266	14	5	RF24557	25	12	RF25220	33	1	RF25264	35	3
RF2426994	14	6	RF24573	34	13	RF25220	34	1	RF25305	33	9
RF24272	14	7	RF24574	34	27	RF25221	31	3	RF25306	34	2
RF2427894	30	12	RF24601	31	25	RF25221	32	3	RF25307	31	31
RF24279	31	20	RF24601	32	25	RF25221	33	2	RF25307	32	34

CTS EVO / Part No Index



Part No.	Page	Pos No	Part No.	Page	Pos No	Part No.	Page	Pos No	Part No.	Page	Pos No
RF25307	34	32	RF25676	6	20	RF26954X0	19	10	RF2920194	7	20
RF25308	34	3	RF25729	27	11	RF26956	17	10	RF2921361	8	6
RF25309	34	9	RF25731	27	11	RF26956	19	11	RF29250	32	27
RF25311	34	11	RF25794	27	31	RF26964	28	7	RF2925694	24	18
RF25312	34	12	RF25795	27	31	RF26965	28	7	RF2926494	24	19
RF25313	34	34	RF25799	27	18	RF26968	2	26	RF2938994	24	20
RF25329	34	33	RF25801	27	18	RF27158	26	19	RF2939394	24	21
RF25512	13	19	RF25901	10	13	RF27159	26	20	RF2939694	24	22
RF25512	34	35	RF2600994	26	14	RF27169	7	18	RF2944094	24	23
RF25513	33	23	RF26080	26	15	RF27171	6	12	RF2960094	24	24
RF25514	31	30	RF26221	3	3	RF27320	18	4	RF29690	33	10
RF25514	32	33	RF26250	30	19	RF27374	24	17	RF2972800	22	13
RF25515	31	30	RF26281	27	2	RF27533	18	11	RF2972800	23	18
RF25515	32	33	RF26282	27	2	RF27557	22	20	RF2972800	25	14
RF2551694	5	2	RF26291	27	19	RF27560	22	21	RF2980994	17	10
RF2551794	5	1	RF26292	27	20	RF2756394	22	10	RF2980994	19	11
RF2551894	5	2	RF26346	24	15	RF27564	22	11	RF2982897	23	19
RF2551994	5	1	RF26353	23	15	RF27567	22	12	RF2982997	23	20
RF25522	30	27	RF2637088	26	16	RF27994	9	7	RF2983097	23	21
RF25523	30	24	RF2637188	26	16	RF28296	9	8	RF2995594	17	10
RF25523	30	26	RF26408	24	16	RF28350	26	21	RF2995594	19	11
RF25524	6	21	RF2641394	23	16	RF28351	26	21	RF3010294	17	10
RF25524	30	21	RF26466	26	17	RF28357	26	22	RF3010294	19	11
RF25525	30	20	RF26491	26	18	RF28358	26	22	RF3020394	9	10
RF25526	30	30	RF26517	23	17	RF28445	26	23	RF3020494	8	7
RF25531	6	13	RF26773	7	17	RF28450	9	9	RF3020594	8	8
RF25532	6	15	RF26926	28	1	RF28450	10	14	RF3020794	7	21
RF25533	6	18	RF26927	28	1	RF28481	26	24	RF3021394	12	3
RF25535	6	23	RF26952	17	7	RF29043	31	6	RF3022294	23	22
RF25536	6	16	RF26952	19	8	RF29043	32	6	RF3022594	23	23
RF2553994	12	6	RF26953X0	17	8	RF29043	33	6	RF3024894	23	24
RF25541	12	6	RF26953X0	19	9	RF29043	34	6	RF3025094	23	24
RF25675	6	24	RF26954X0	17	9	RF2919763	7	19	RF3025294	23	24

CTS EVO / Part No Index



Part No.	Page	Pos No	Part No.	Page	Pos No
RF3029594	17	10	RG00049729	28	2
RF3029594	19	11	RG00083139	31	22
RFAS1355	29	1	RG00083139	32	22
RFAS1356	29	2	RG00083139	33	17
RFAS1357	29	1-2	RG00083139	34	22
RFAS2648	29	17	RG00083140	31	23
RFGAINE024	31	27	RG00083140	32	23
RFGAINE024	32	30	RG00083140	33	18
RFGAINE024	33	20	RG00083140	34	23
RFGAINE024	34	29			
RFP01698	29	14			
RFP01704	29	20			
RFP02008	29	21			
RFP02489	29	13			
RFP02602	29	22			
RFP04179	29	5			
RFP05431	29	19			
RFP07728	29	15			
RFP07729	29	15			
RFP08188	29	12			
RFP08189	29	11			
RFP08190	29	9			
RFP08191	29	10			
RFP08994	29	16			
RFP09558	29	4			
RFP09559	29	3			
RFP09560	29	6			
RFP10349	29	15			
RFP11032	29	7			
RFP12603	29	23			
RFP14799	29	18			
RFP14853	29	8			
RG00049729	25	15			



CTS EVO

06435 < Mach. ID <=

Kverneland Group Les Landes Génusson S.A.S.
9 rue du Poitou
85130 Les Landes Génusson
France
+33 (0)2 51 64 13 00
+33 (0)2 51 91 61 25
sicam@kvernelandgroup.com

© Kverneland Group

All rights reserved. No parts of this book may be reproduced, stored in a database or retrieval system, or published in any form or in any way, electronically, mechanically, optically, by print, photo print, microfilm (including micro and macro fiche), or any other means, including all video and CD systems, without prior written permission from the publisher.

Print date: 2010-07-16

